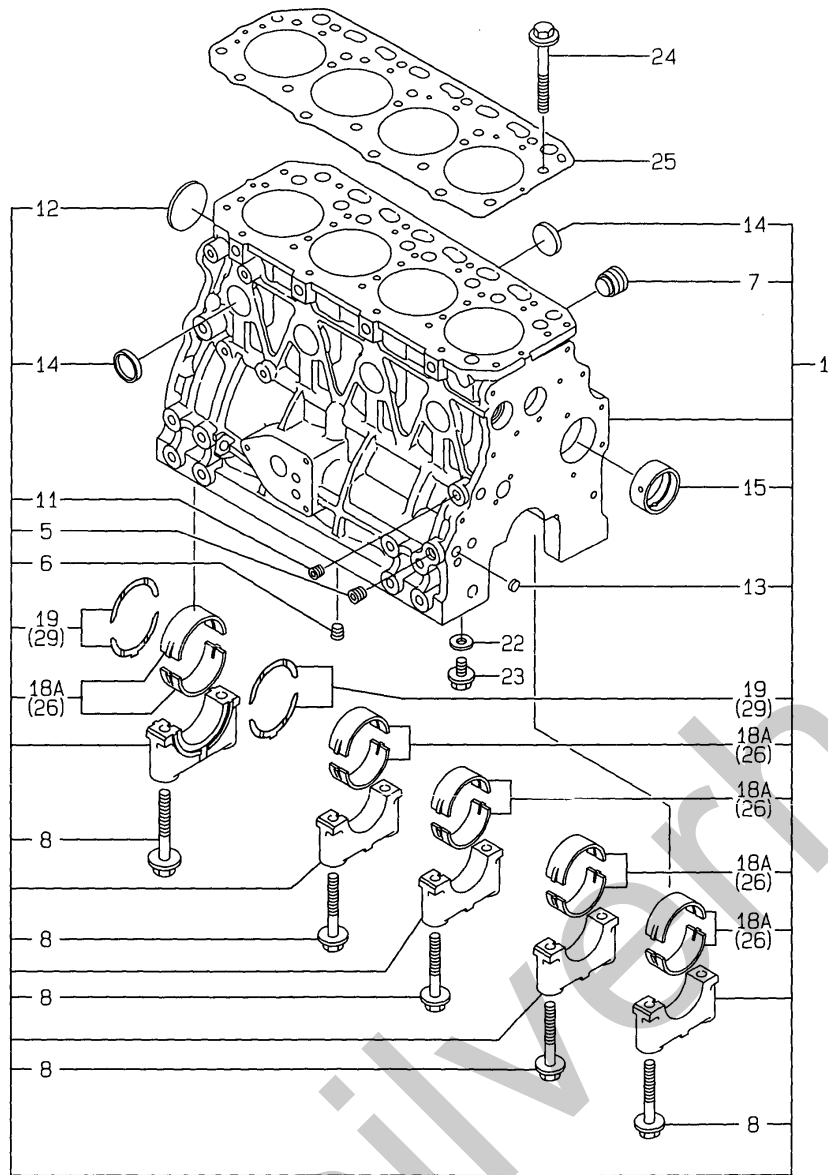


Fig.1. CYLINDER BLOCK

1.CYLINDER BLOCK



Remarks
 (1) UNDER-SIZED(U.S=0.25)PART.
 (2) OVER-SIZED(O.S=0.25)PART.
 (3) REPAIR PART.

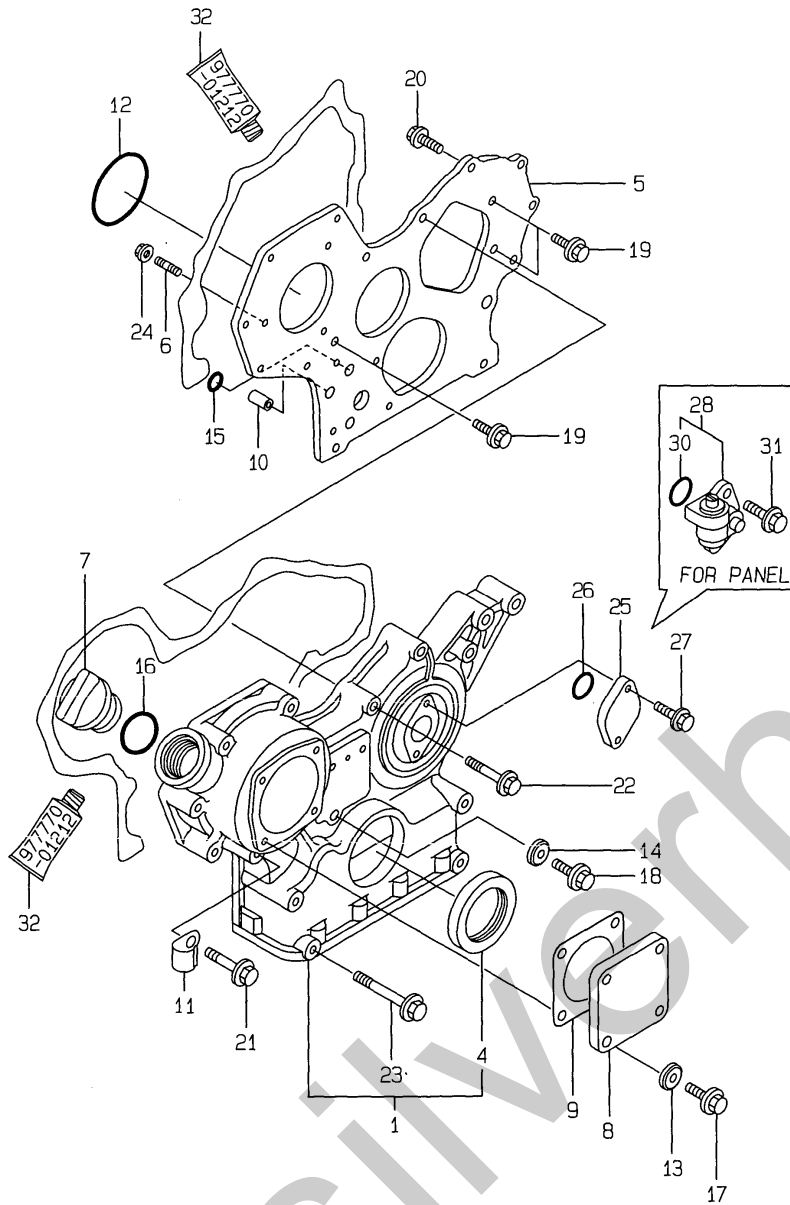
(A)=4TNE84T-SA (D)=
 (B)=4TNE84T-G1A (E)=
 (C)=4TNE84T-G2A (F)=

REF.	LEV.	PARTS NO.	DESCRIPTION	QTY						I	R
				(A)	(B)	(C)	(D)	(E)	(F)		
1	1	729638-01560	BLOCK ASSY, CYLINDER	1	1	1					
1-1	1	729408-01560 (B=E-XXX)	BLOCK ASSY, CYLINDER		1						N
5	2	124160-01910	PLUG PT1/4	2	2	2					
6	2	124160-01910	PLUG PT1/4	1	1	1					
7	2	171051-01921	PLUG	1	1	1					
8	2	129150-02020	BOLT, METAL CAP	10	10	10					
11	2	23871-010000	PLUG PT1/8,SCREW	1	1	1					
11-1	2	23876-010000	PLUG PT1/8,SCREW	1	1	1					N
		(A=E-XXX) (B=E-XXX) (C=E-XXX)									
12	2	27231-500000	PLUG 50	1	1	1					
12-1	2	129001-01250	PLUG 50	1	1	1					N
		(A=E-XXX) (B=E-XXX) (C=E-XXX)									
13	2	27241-120000	PLUG 12	2	2	2					
14	2	27241-300000	PLUG 30	8	8	8					
15	2	129795-02411	BUSH, CAMSHAFT	1	1	1					
18A	2	129001-02930	MAIN BEARING SET	5	5	5					W 3
		(A=E-XXX) (B=E-XXX) (C=E-XXX)									
19	2	129150-02930	METAL, THRUST	2	2	2					
22	1	23414-080000	GASKET 8, ROUND			4					
23	1	26106-080122	BOLT M 8X 12 PLATED			4					
24	1	129150-01200	STUD, CYL. HEAD	18	18	18					
25	1	129408-01330	GASKET, CYL.HEAD	1	1	1					
26	1	129150-02870	MAIN METAL US=0.25	5	5	5					1
29	1	129150-02940	METAL,THRUST.25(2PIE	1	1	1					2

Fig.2. GEAR HOUSING

(A)=4TNE84T-SA (D)=
 (B)=4TNE84T-G1A (E)=
 (C)=4TNE84T-G2A (F)=

2. GEAR HOUSING



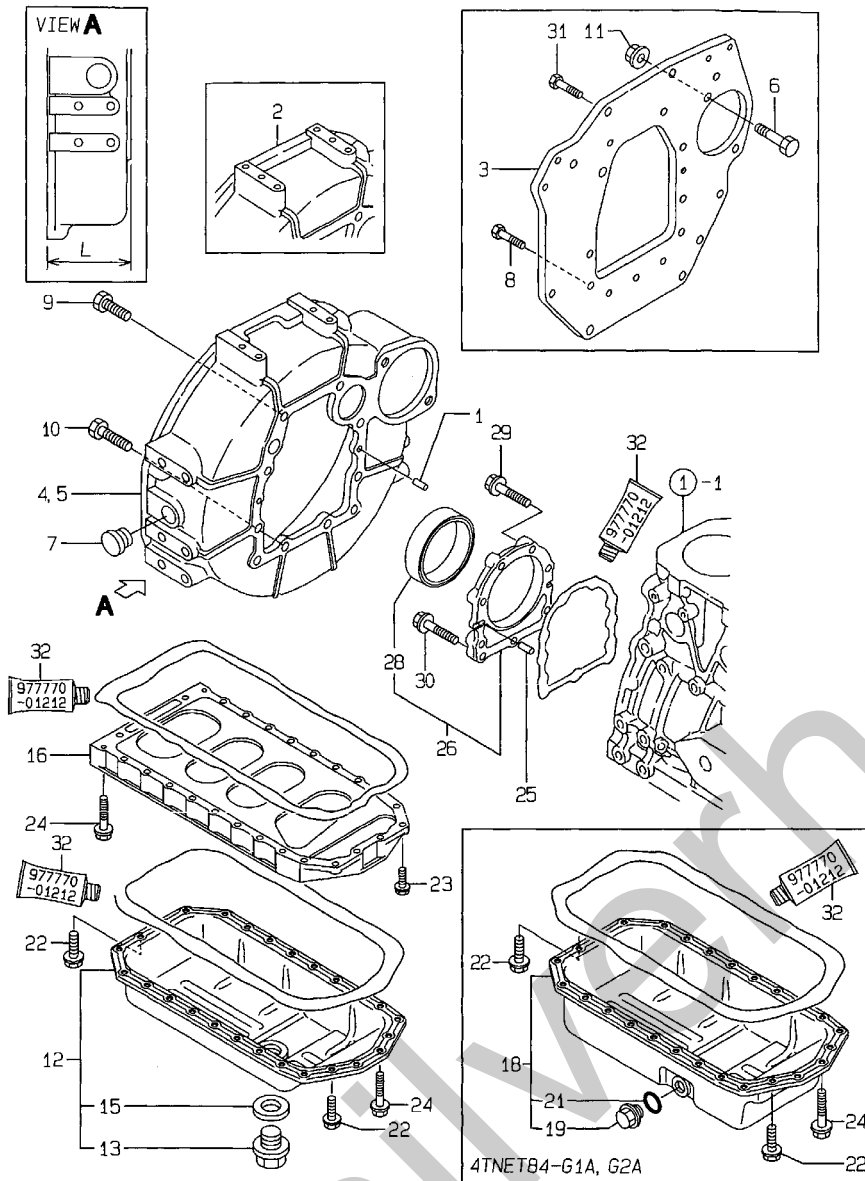
REF.	LEV.	PARTS NO.	DESCRIPTION	QTY						I	R
				(A)	(B)	(C)	(D)	(E)	(F)		
1	1	719810-01500	HOUSING ASSY, GEAR	1	1	1					
4	2	129795-01800	SEAL, OIL	1	1	1					
5	1	129400-01520	FLANGE,GEARS HOUSING	1	1	1					
6	1	121450-01560	STUD M 8X 22	3	3	3					
7	1	124160-01751	CAP, LUB.OIL SUPPLY	1	1	1					
8	1	124240-01871	COVER, HO-P	1	1	1					
9	1	124240-01883	GASKET, (NON-ASB.)	1	1	1					
10	1	129795-01950	PIPE, KNOCK L=18	2	2	2					
11	1	129150-03100	RETAINER	1	1	1					
12	1	121850-51960	O-RING, F.I.PUMP	1	1	1					
13	1	22190-080002	SEAL WASHER 8S	4	4	4					
14	1	22190-080002	SEAL WASHER 8S	1	1	1					
15	1	24311-000160	O-RING 1A P-16.0	2	2	2					
16	1	24311-000320	O-RING 1A P-32.0	1	1	1					
17	1	26106-080122	BOLT M 8X 12 PLATED	4	4	4					
18	1	26106-080162	BOLT M 8X 16 PLATED	1	1	1					
19	1	26106-080162	BOLT M 8X 16 PLATED	3	3	3					
20	1	26106-080202	BOLT M 8X 20 PLATED	2	2	2					
21	1	26106-080452	BOLT M 8X 45 PLATED	6	6	6					
22	1	26106-080552	BOLT M 8X 55 PLATED	3	3	3					
23	1	26106-080852	BOLT M 8X 85 PLATED	4	4						
23-1	1	129001-91840	BOLT M8X85(AUTO)	4	4	4					R
		(A=E06767) (B=E06756)									
24	1	26366-080002	NUT M 8	3	3	3					
24-1	1	26306-080002	NUT	3	3	3					N
		(A=EXXX) (B=EXXX) (C=EXXX)									
25	1	121023-01550	COVER, BLIND	1	1						
26	1	24341-000240	O-RING 1A S-24.0	1	1						
27	1	26106-060122	BOLT M 6X 12 PLATED	2	2						
27-1	1	26106-060162	BOLT M 6X 16 PLATED	2	2						N
		(A=EXXX) (B=EXXX)									
28	1	129150-91400	GEAR UNIT,TACHOMETER	1	1	1					1
30	2	24341-000240	O-RING 1A S-24.0	1	1	1					1
31	1	26106-060162	BOLT M 6X 16 PLATED	2	2	2					1
32	1	977770-01212	GASKET, LIQUID	1	1	1					W 2
		(A=EXXX) (B=EXXX)									

Remarks
 (1) FOR PANEL.
 (2) OPTIONAL PART.

Fig.3. FLYWHEEL HOUSING & OIL SUMP

(A)=4TNE84T-SA (D)=
 (B)=4TNE84T-G1A (E)=
 (C)=4TNE84T-G2A (F)=

3.FLYWHEEL HOUSING & OIL SUMP



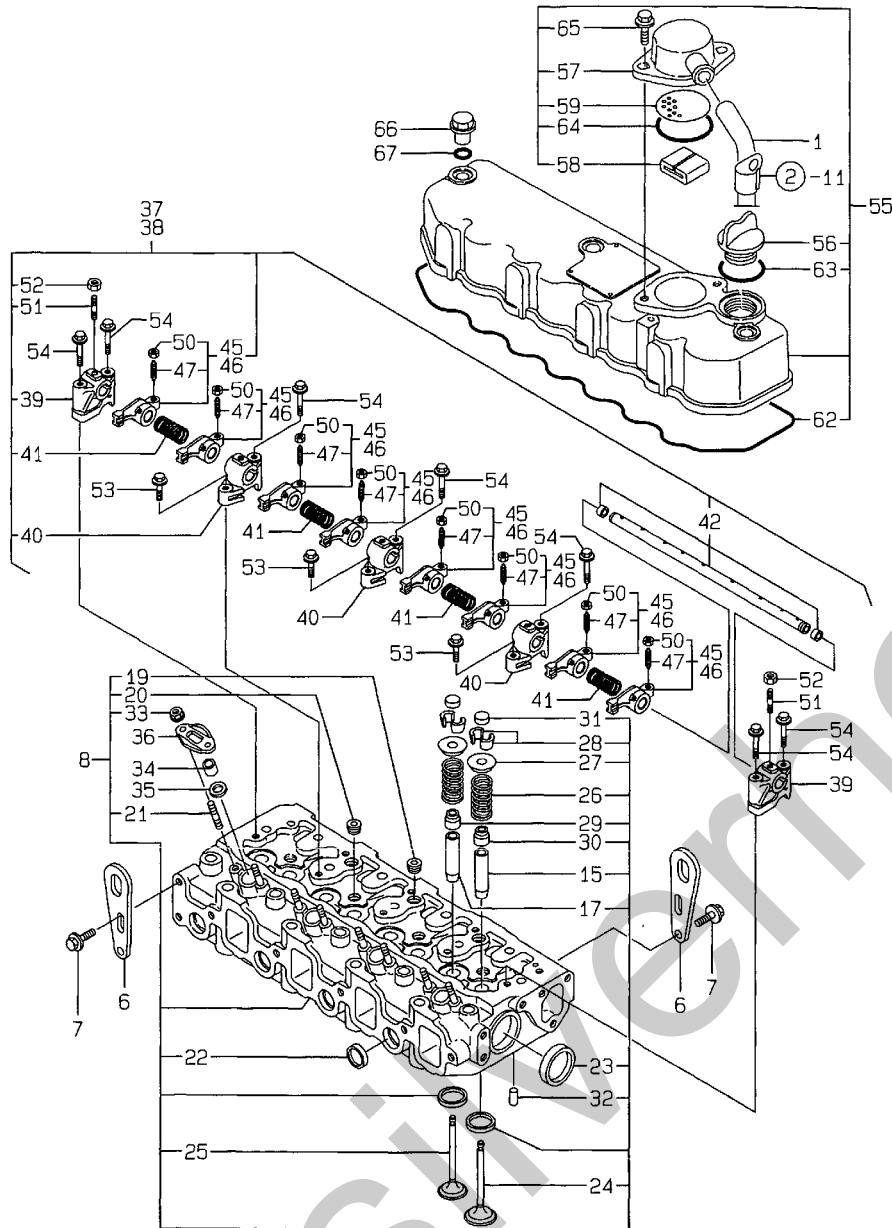
Remarks
 (1) L= 80M/M.
 (2) L= 105M/M.
 (3) OPTIONAL PART.

REF.	LEV.	PARTS NO.	DESCRIPTION	QTY						I	R
				(A)	(B)	(C)	(D)	(E)	(F)		
1	1	129100-01580	PARALLEL PIN 8X16	2	2	2					
2	1	119888-01600	HOUSING, FLYWHEEL	1		1					
3	1	129129-01600	FLANGE, MOUNTING	1							
4	1	171301-01600	HOUSING, FLYWHEEL	1							1
4-1	1	129612-01600	HOUSING, FLYWHEEL	1							R 1
(A=E04523)											
5	1	171420-01600	HOUSING, FLYWHEEL	1	1	1					2
6	1	121476-01620	BOLT	2							
7	1	119620-01750	CAP, FLYWHEEL COVER	1	1	1					
8	1	26206-100202	BOLT M10X20	6							
9	1	26206-100252	BOLT M10X25	6	6	6					
10	1	26206-100302	BOLT M10X30	4	4	4					
11	1	26367-120002	NUT 12	2							
12	1	729402-01540	SUMP ASSY, LUB OIL	1							
13	2	119640-01640	DRAIN PLUG M22	1							
15	2	22190-220002	SEAL WASHER 22S	1							
16	1	129400-01730	SPACER, OIL SUMP	1	1	1					
18	1	129400-01770	SUMP ASSY, LUB. OIL		1	1					
19	2	171301-01640	PLUG M22		1	1					
21	2	24341-000250	O-RING 1A S-25.0		1	1					
22	1	26106-080162	BOLT M 8X 16 PLATED	4	4	4					
23	1	26106-080252	BOLT M 8X 25 PLATED	2	2	2					
24	1	26106-080452	BOLT M 8X 45 PLATED	24	24	24					
25	1	129100-01580	PARALLEL PIN 8X16	2	2	2					
26	1	129100-01640	CASE ASSY, OIL SEAL	1	1	1					
28	2	129795-01780	SEAL OIL	1	1	1					
29	1	26106-080302	BOLT M 8X 30 PLATED	6	6						
29-1	1	129486-01670	BOLT M8X30, COLLAR HD	6	6	6					R
(A=E04523) (B=E03897)											
30	1	26106-080352	BOLT M 8X 35 PLATED	3	3	3					
31	1	26206-100252	BOLT M10X25	4							
32	1	977770-01212	GASKET, LIQUID	1	1	1					W 3
(A=EXXX) (B=EXXX)											

(A)=4TNE84T-SA (D)=
 (B)=4TNE84T-G1A (E)=
 (C)=4TNE84T-G2A (F)=

Fig.4. CYLINDER HEAD & BONNET

4.CYLINDER HEAD & BONNET



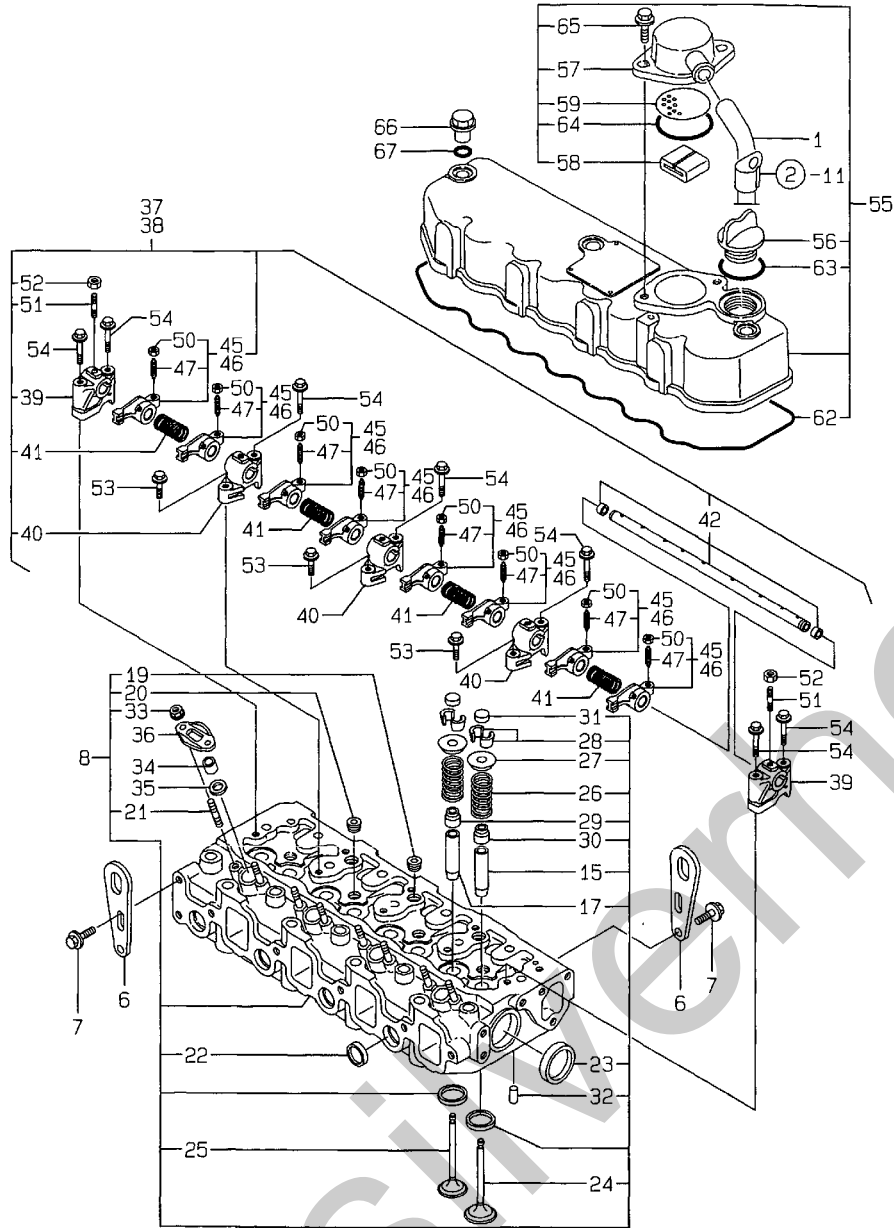
REF.	LEV.	PARTS NO.	DESCRIPTION	QTY						I	R
				(A)	(B)	(C)	(D)	(E)	(F)		
1	1	171350-03090	PIPE, BREATHER	1	1	1					
6	1	124736-07900	LIFTER, ENGINE	2	2	2					
7	1	26106-080142	BOLT M 8X 14 PLATED	4	4	4					
8	1	729408-11700	HEAD, ASSY CYLINDER	1	1						
8-1	1	729418-11100	HEAD ASSY, CYLINDER	1		1					N
(A=E06481)											
15	2	120130-11860	GUIDE, VALVE	4	4	4					1
17	2	129150-11810	GUIDE, VALVE	4	4	4					1
19	2	121850-11860	PLUG PT1/4	3	3						
19-1	2	23871-020000	PLUG PT1/4,SCREW	3	3	3					N
(A=EXXX) (B=EXXX)											
20	2	23871-030000	PLUG PT3/8,SCREW	4	4	4					
21	2	26216-060202	STUD M 6X 20 PLATED	8	8	8					
22	2	27241-220000	PLUG 22	4	4	4					
23	2	27241-400000	PLUG 40	2	2	2					
24	2	129100-11100	VALVE, INTAKE	4	4	4					
25	2	129100-11130	VALVE, EXHAUST	4	4	4					
26	2	129795-11120	SPRING, VALVE	8	8	8					
27	2	129795-11180	RETAINER, SPRING	8	8	8					
28	2	27310-080000	COTTER 8	8	8	8					
29	2	121400-11340	SEAL, VALVE STEM	4	4	4					
30	2	124460-11340	SEAL, VALVE STEM	4	4	4					
31	2	129150-11370	CAP, VALVE	8	8	8					
32	2	22351-060012	SPRING PIN 6X12	2	2	2					
33	2	26366-060002	NUT M 6	8	8	8					
34	1	119625-11871	PROTECTOR, NOZZLE	4	4						
34-1	1	119625-11870	PROTECTOR, NOZZLE	4	4	4					N
(A=EXXX) (B=EXXX)											
35	1	119625-11880	SEAT, NOZZLE	4	4	4					
36	1	119625-11900	RETAINER	4	4	4					
37	1	129555-11241	SHAFT ASSY, ROCKER	1		1					
38	1	129500-11241	SHAFT, ROCKER ARM		1						
38-1	1	129500-11240	SHAFT, ROCKER ARM		1						N
(B=EXXX)											
39	2	129155-11260	SUPPORT, ROCKER ARM	2	2	2					
40	2	129155-11270	SUPPORT, ROCKER ARM	3	3	3					
41	2	129150-11280	SPRING	4	4	4					
42	2	129550-11290	SHAFT, ROCKER ARM	1	1	1					
45	2	729402-11650	ARM ASSY, ROCKER	8		8					
46	2	129100-11650	ARM ASSY, ROCKER		8						
47	3	129150-11230	SCREW, VALVE	8	8	8					
50	3	129150-11750	NUT M8XP1.0	8	8	8					
51	2	26226-080182	STUD M 8X 18 PLATED	3	3	3					
52	2	26756-080002	LOCK NUT M 8 PLATED	3	3	3					
53	1	26106-080252	BOLT M 8X 25 PLATED	3	3	3					
54	1	26106-080502	BOLT M 8X 50 PLATED	7	7	7					
55	1	129400-11350	BONNET ASSY	1	1	1					
56	2	124160-01751	CAP, LUB.OIL SUPPLY	1	1	1					
57	2	129150-03020	COVER, BREATHER	1	1	1					
58	2	129150-03070	BAFFLE, BREATHER	1	1	1					
59	2	129150-03080	PLATE, SHELTER	1	1	1					
62	2	129550-11310	GASKET, BONNET	1	1	1					
63	2	24311-000320	O-RING 1A P-32.0	1	1	1					
64	2	24341-000500	O-RING 1A S-50.0	1	1	1					

++ CONTINUE ++

Remarks
 (1) REPAIR PART.

Fig.4. CYLINDER HEAD & BONNET

4. CYLINDER HEAD & BONNET



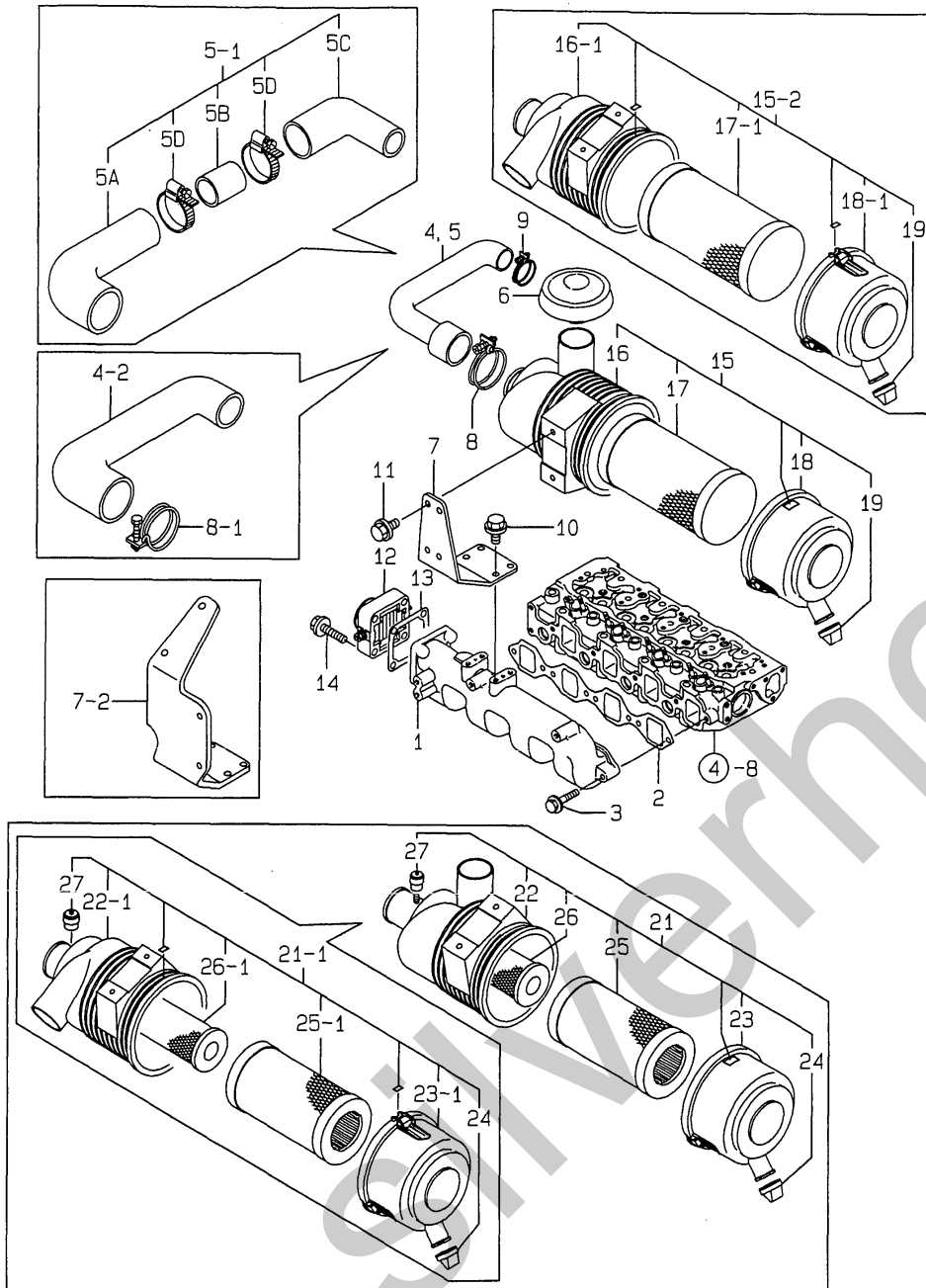
(A)=4TNE84T-SA (D)=
 (B)=4TNE84T-G1A (E)=
 (C)=4TNE84T-G2A (F)=

REF.	LEV.	PARTS NO.	DESCRIPTION	QTY						I	R
				(A)	(B)	(C)	(D)	(E)	(F)		
65	2	26106-080162	BOLT M 8X 16 PLATED	2	2	2					
66	1	124160-11360	KNOB	3	3	3					
67	1	24311-000120	O-RING 1A P 12.0	3	3	3					

Remarks
 (1) REPAIR PART.

Fig.5. SUCTION MANIFOLD & AIR CLEANER

5. SUCTION MANIFOLD & AIR CLEANER



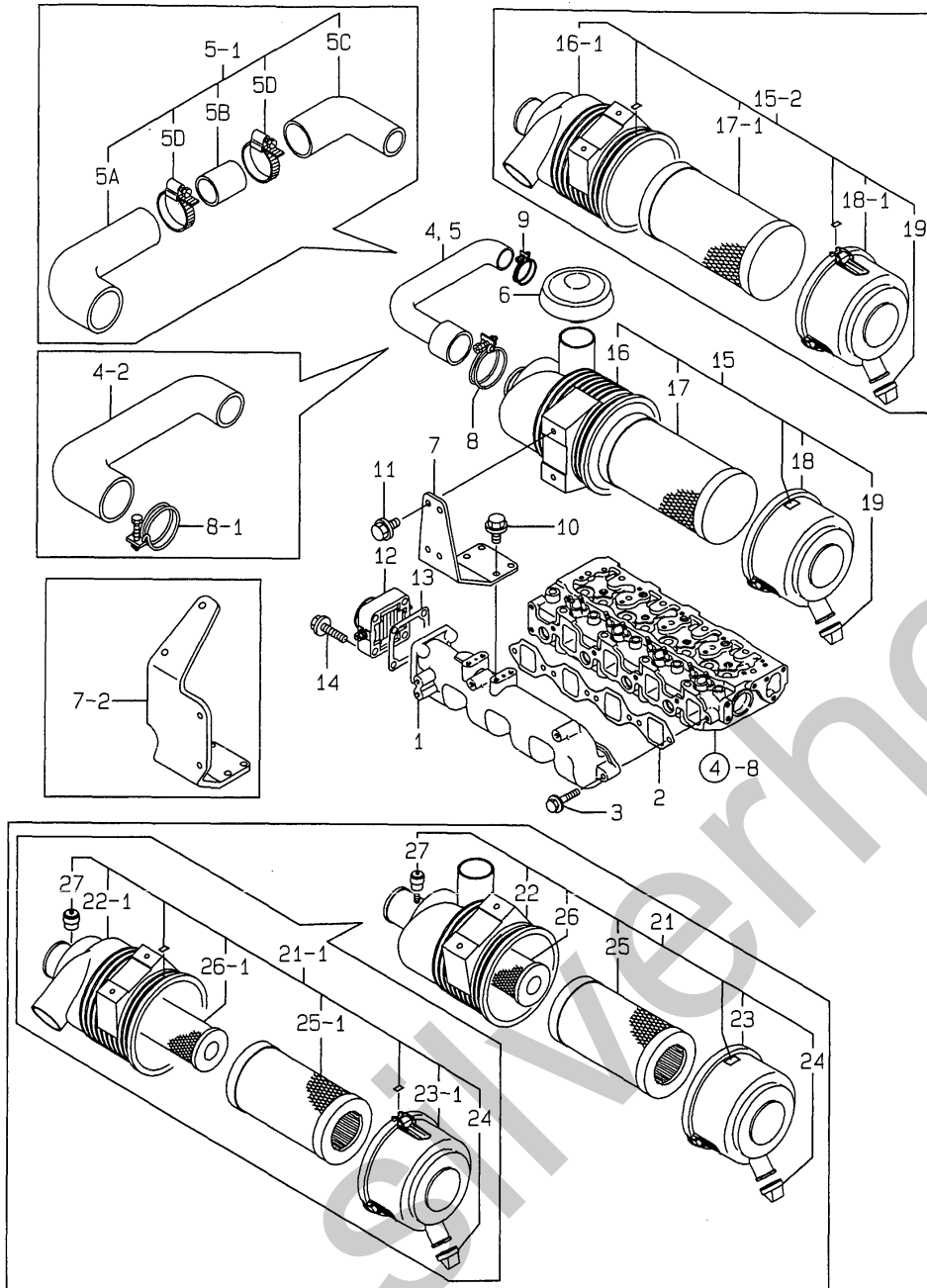
(A)=4TNE84T-SA (D)=
 (B)=4TNE84T-G1A (E)=
 (C)=4TNE84T-G2A (F)=

REF.	LEV.	PARTS NO.	DESCRIPTION	QTY						I	R
				(A)	(B)	(C)	(D)	(E)	(F)		
1	1	129488-12100	MANIFOLD, AIR INTAKE	1	1	1					
2	1	129550-12111	GASKET, (NON-ASB.)	1	1	1					
3	1	26106-080352	BOLT M 8X 35 PLATED	5	5	5					
4	1	129488-12070	HOSE(A), AIR INTAKE	1							
4-1	1	129418-12070	PIPE, INTAKE	1		1					N
		(A=E05796)									
4-2	1	129609-12230	HOSE, AIR INTAKE	1							S
		(A=E07702)									
5	1	129488-12050	HOSE(A), AIR INTAKE			1					
5-1	1	129609-12220	HOSE ASSY, INTAKE			1					S
		(B=E07650)									
5A	2	129609-12240	HOSE, AIR INTAKE			1					W
		(B=E07650)									
5B	2	119131-12251	JOINT			1					W
		(B=E07650)									
5C	2	129609-12250	HOSE, AIR INTAKE			1					W
		(B=E07650)									
5D	2	23000-070000	CLAMP 70			2					W
		(B=E07650)									
6	1	121521-12400	CAP, RAIN	1	1						Z
		(A=E07702) (B=E07650)									
7	1	129619-12560	BRACKET, AIR CLEANER	1	1						
7-1	1	129608-12560	BRACKET, AIR CLEANER	1	1	1					R
		(A=E01427) (B=E01440)									
7-2	1	129609-12550	BRACKET	1	1						S
		(A=E07702) (B=E07650)									
8	1	23000-060000	CLAMP 60	1	1						
8-1	1	23000-080000	CLAMP 80	1	1						S
		(A=E07702) (B=E07650)									
9	1	23000-050000	CLAMP 50	1	1						
9-1	1	23000-054000	CLAMP 54	1	1	1					R
		(A=E01427) (B=E01440)									
10	1	26106-080182	BOLT M 8X 18 PLATED	4	4	4					
11	1	26106-080182	BOLT M 8X 18 PLATED	2	2	2					
12	1	129120-77501	HEATER, AIR	1	1	1					
13	1	129150-77511	GASKET, (NON-ASB.)	1	1	1					
14	1	26106-080352	BOLT M 8X 35 PLATED	4	4	4					
15	1	129608-12500	AIRCLEANER	1	1						
15-1	1	129608-12501	AIRCLEANER	1	1	1					R
		(A=E01427) (B=E01440)									
15-2	1	129609-12500	CLEANER ASSY, AIR	1	1						S
		(A=E07702) (B=E07650)									
16	2	129608-12510	BODY ASSY	1	1						
16-1	2	129609-12530	BODY, AIR CLEANER	1	1	1					S
		(A=E07702) (B=E07650)									
17	2	119808-12520	ELEMENT, OUTER	1	1						
17-1	2	129062-12560	ELEMENT	1	1	1					S
		(A=E07702) (B=E07650)									
18	2	119808-12530	COVER	1	1						
18-1	2	129900-12530	COVER ASSY	1	1	1					S
		(A=E07702) (B=E07650)									
19	2	119808-12540	VALVE, UNLOADER	1	1	1					
21	1	119822-12500	CLEANER ASSY, AIR	1	1						W
		(A=E01427) (B=E01440)									

++ CONTINUE ++

Fig.5. SUCTION MANIFOLD & AIR CLEANER

5. SUCTION MANIFOLD & AIR CLEANER

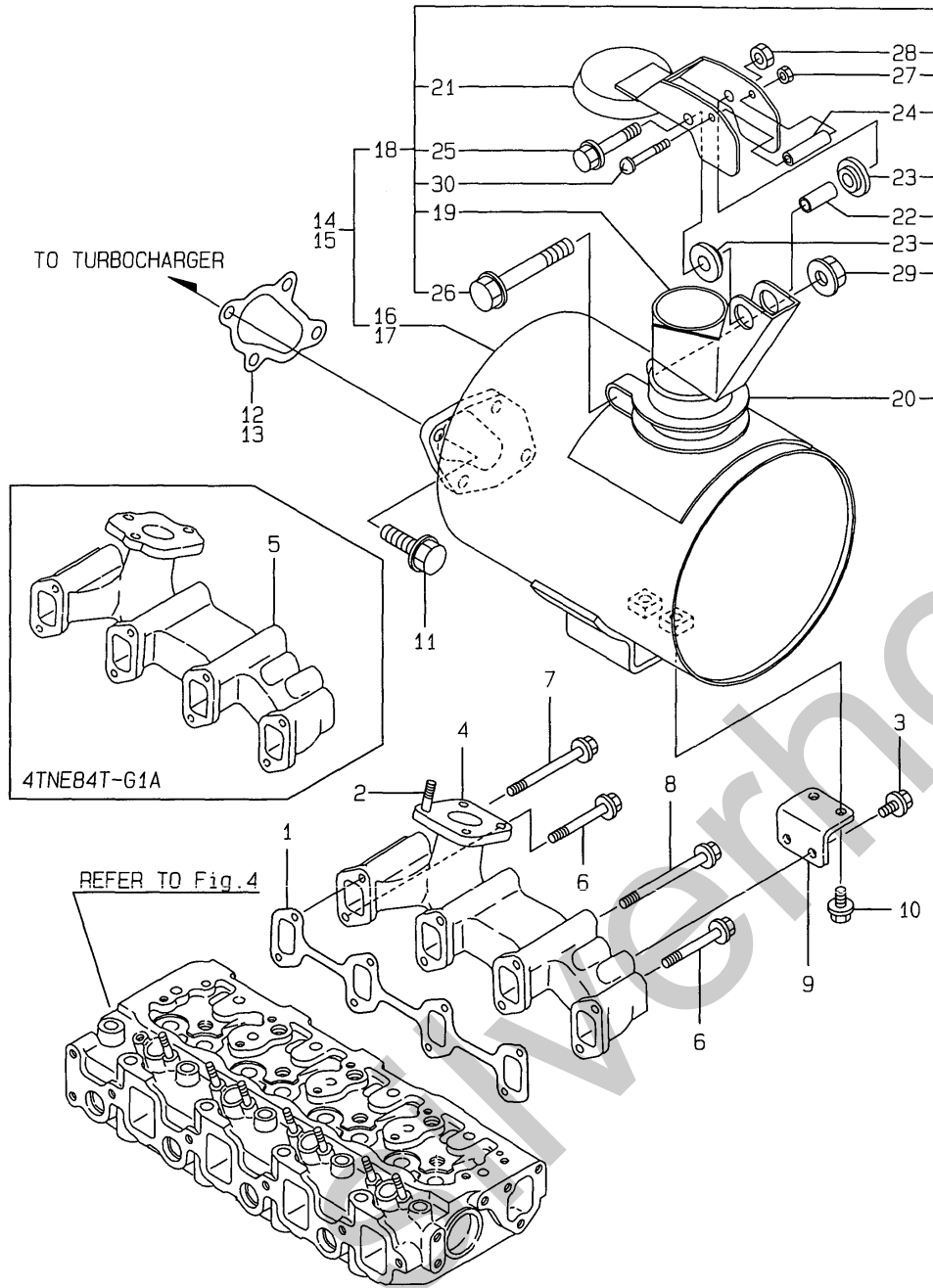


(A)=4TNE84T-SA (D)=
 (B)=4TNE84T-G1A (E)=
 (C)=4TNE84T-G2A (F)=

REF.	LEV.	PARTS NO.	DESCRIPTION	QTY						I	R
				(A)	(B)	(C)	(D)	(E)	(F)		
21-1	1	129609-12510 (A=E07702)	CLEANER ASSY, AIR (B=E07650)	1	1						S
22	2	119822-12510	BODY	1	1						W
22-1	2	129609-12520 (A=E07702)	BODY, AIR CLEANER (B=E07650)	1	1						S
23	2	119808-12530 (A=E07702)	COVER (B=E07650)	1	1						W
23-1	2	129900-12530	COVER ASSY	1	1						S
24	2	119808-12540 (A=E07702)	VALVE, UNLOADER (B=E07650)	1	1						W
25	2	119808-12520 (A=E07702)	ELEMENT, OUTER (B=E07650)	1	1						W
25-1	2	129062-12560	ELEMENT	1	1						S
26	2	129051-12530 (A=E07702)	ELEMENT, INNER (B=E07650)	1	1						W
26-1	2	119005-12571 (A=E07702)	ELEMENT ASSY, INNER (B=E07650)	1	1						S
27	2	126650-12680 (A=E07702)	INDICATOR (B=E07650)	1	1						W

Fig.6. EXHAUST MANIFOLD & SILENCER

6.EXHAUST MANIFOLD & SILENCER

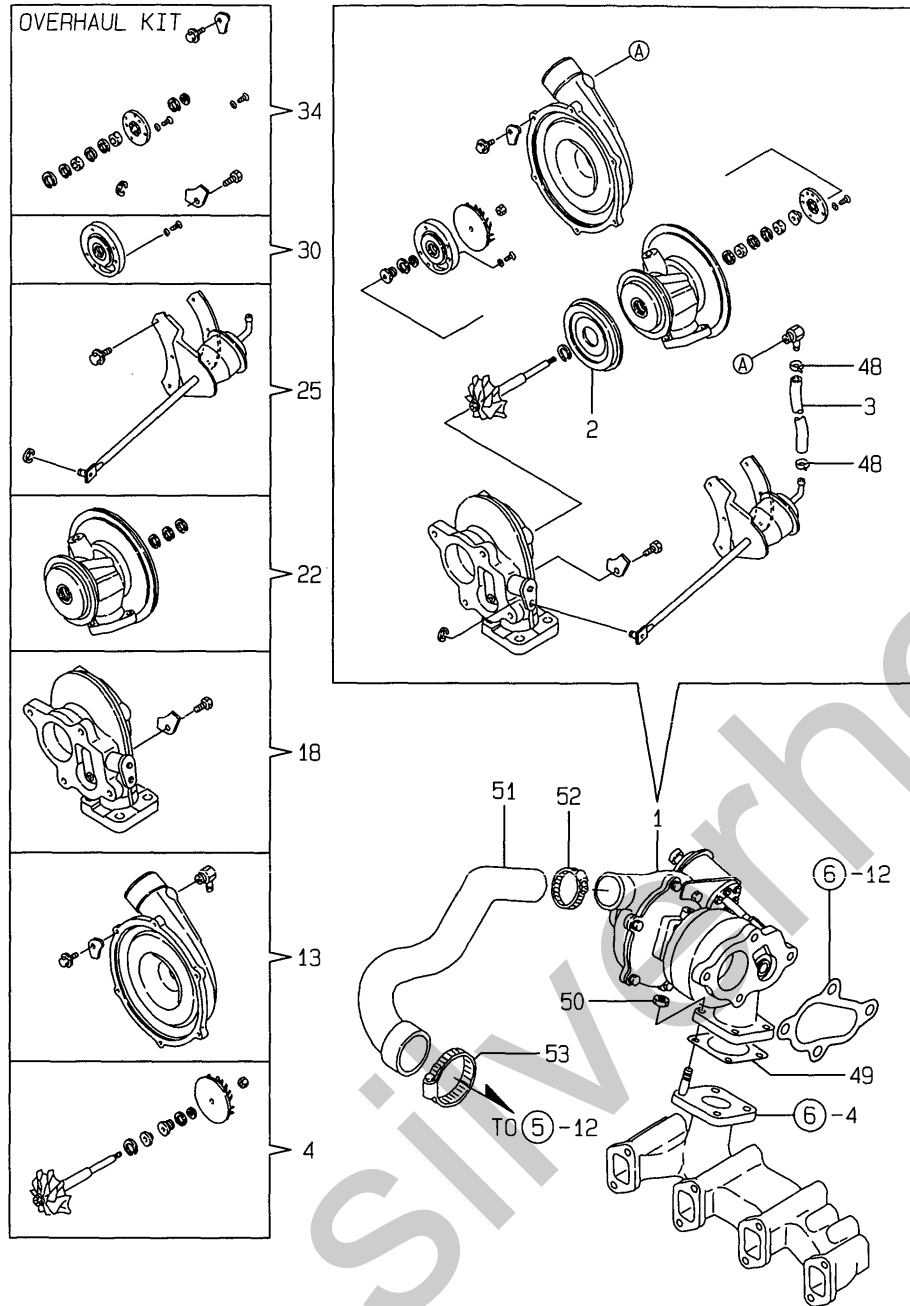


(A)=4TNE84T-SA (D)=
 (B)=4TNE84T-G1A (E)=
 (C)=4TNE84T-G2A (F)=

REF.	LEV.	PARTS NO.	DESCRIPTION	QTY						I	R
				(A)	(B)	(C)	(D)	(E)	(F)		
1	1	129550-13110	GASKET, EXH.MANIFOLD	1	1	1					
2	1	26216-080222	STUD M 8X 22 PLATED	4	3						
2-1	1	119131-18320	BOLT M 8X 22	4	3	4					N
2-2	1	(A=E06481) (B=E06480) 129418-18320 (B=E06822)	STUD BOLT M8X20		3						R
3	1	26106-080142	BOLT M 8X 14 PLATED	2	2	2					
4	1	129403-13120	MANIFOLD, EXHAUST	1	1						
5	1	129403-13130	MANIFOLD, EXHAUST		1						
6	1	26106-080652	BOLT M 8X 65 PLATED	3	3	3					
7	1	26106-080852	BOLT M 8X 85 PLATED	1	1	1					
8	1	26106-081002	BOLT M 8X100 PLATED	4	4	4					
9	1	129403-13540	SUPPORT, SILENCER	1	1	1					
10	1	26106-080202	BOLT M 8X 20 PLATED	2	2	2					
11	1	26106-080202	BOLT M 8X 20 PLATED	4	4	4					
12	1	129403-18080	GASKET,TURBO OUT	1							
12-1	1	129403-18081	GASKET,TURBO OUT	1		1					N
13	1	(A=E03730) 129403-18091	GASKET, (NON-ASB.)		1						
14	1	129420-13521	SILENCER ASSY.	1		1					
15	1	129420-13511	SILENCER ASSY.		1						
16	2	129420-13570	MUFFLER BODY ASSY	1		1					
17	2	129420-13560	MUFFLER BODY ASSY		1						
18	2	129420-13540	TAILPIPE ASSY	1	1	1					
19	3	129420-13550	TAIL PIPE	1	1	1					
20	3	121850-13580	CLAMP	1	1	1					
21	3	128300-13640	RAIN CAP	1	1	1					
22	3	121855-13821	SPACER(A)	1	1	1					
23	3	121855-13830	SPACER(B)	2	2	2					
24	3	123500-13840	SPACER(C)	1	1	1					
25	3	26106-060402	BOLT M 6X 40 PLATED	1	1	1					
26	3	26106-100602	BOLT M10X 60 PLATED	1	1	1					
27	3	26347-040002	U-NUT M 4	1	1	1					
28	3	26347-060002	U NUT 6	1	1	1					
29	3	26366-100002	NUT M10	1	1	1					
29-1	3	26306-100002	NUT	1	1	1					N
30	3	(A=EXXX) (B=EXXX) (C=EXXX) 26557-040352	SCREW M 4X 35	1	1	1					

Fig.7. TURBOCHARGER(1)

7. TURBOCHARGER (1)



Y00R4551 7. TURBOCHARGER(1)

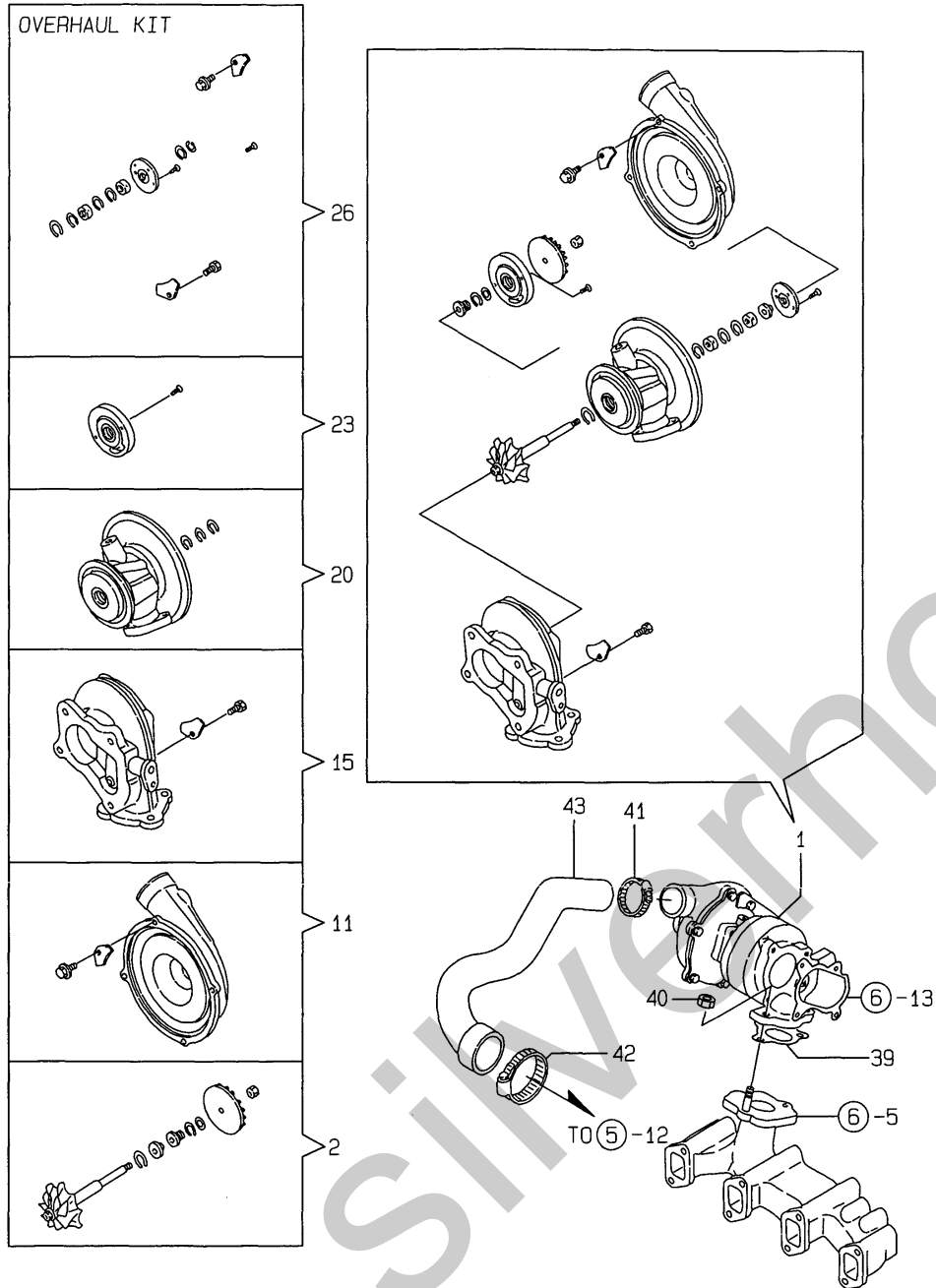
(A)=4TNE84T-SA (D)=
 (B)=4TNE84T-G1A (E)=
 (C)=4TNE84T-G2A (F)=

REF.	LEV.	PARTS NO.	DESCRIPTION	QTY						I	R
				(A)	(B)	(C)	(D)	(E)	(F)		
1	1	129404-18020	TURBO CHARGER	1		1					
2	2	129404-18720	PROTECTOR, HEAT	1		1					
3	2	129404-18750	HOSE	1		1					
4	2	129404-18770	ROTOR SET, TURBINE	1		1					
13	2	129404-18780	HOUSING SET, BLOWER	1		1					
18	2	129404-18790	HOUSING SET, TURBINE	1		1					
22	2	129404-18800	HOUSING SET, BEARING	1		1					
25	2	129404-18811	CONTROL ASSY	1		1					
30	2	129404-18820	PLATE	1		1					
34	2	129404-18830	OVERHAUL KIT	1		1					
48	2	23080-012000	CLAMP 12	2		2					
49	1	129322-18100	GASKET	1		1					
50	1	194990-22050	NUT W/WASHER 8	4		4					
51	1	129488-12080	HOSE(B), AIR INTAKE	1		1					
52	1	23000-060000	CLAMP 60	1		1					
53	1	23000-070000	CLAMP 70	1		1					

(A)=4TNE84T-SA (D)=
 (B)=4TNE84T-G1A (E)=
 (C)=4TNE84T-G2A (F)=

Fig.8. TURBOCHARGER(2)

8. TURBOCHARGER (2)

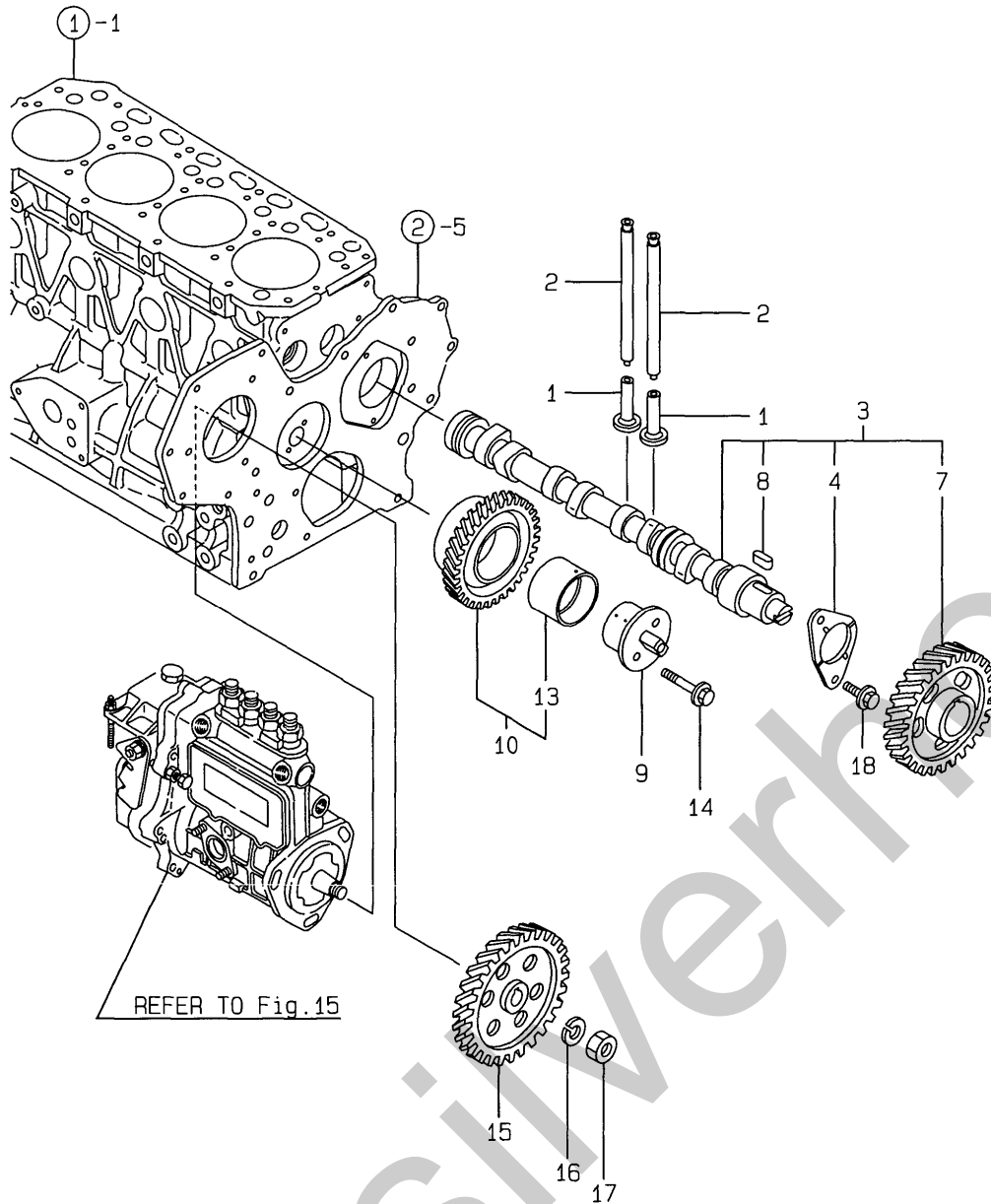


REF.	LEV.	PARTS NO.	DESCRIPTION	QTY						I	R
				(A)	(B)	(C)	(D)	(E)	(F)		
1	1	129406-18010	TURBOCHARGER RHB31		1						
2	2	129406-18770	ROTOR ASSY, TURBO		1						
11	2	129406-18780	HOUSING ASSY, BLOWER		1						
15	2	129406-18790	HOUSING ASSY, TURBO		1						
20	2	129403-18800	HOUSING ASSY, BEARING		1						
23	2	129406-18820	PLATE ASSY, SEAL		1						
26	2	129406-18830	OVERHALL KIT		1						
39	1	129477-18101	GASKET, (NON-ASB.)		1						
40	1	194990-22050	NUT W/WASHER 8		3						
41	1	23000-050000	CLAMP 50		1						
42	1	23000-070000	CLAMP 70		1						
43	1	129488-12060	HOSE(B), AIR INTAKE		1						

(A)=4TNE84T-SA (D)=
 (B)=4TNE84T-G1A (E)=
 (C)=4TNE84T-G2A (F)=

Fig.9. CAMSHAFT & DRIVING GEAR

9. CAMSHAFT & DRIVING GEAR



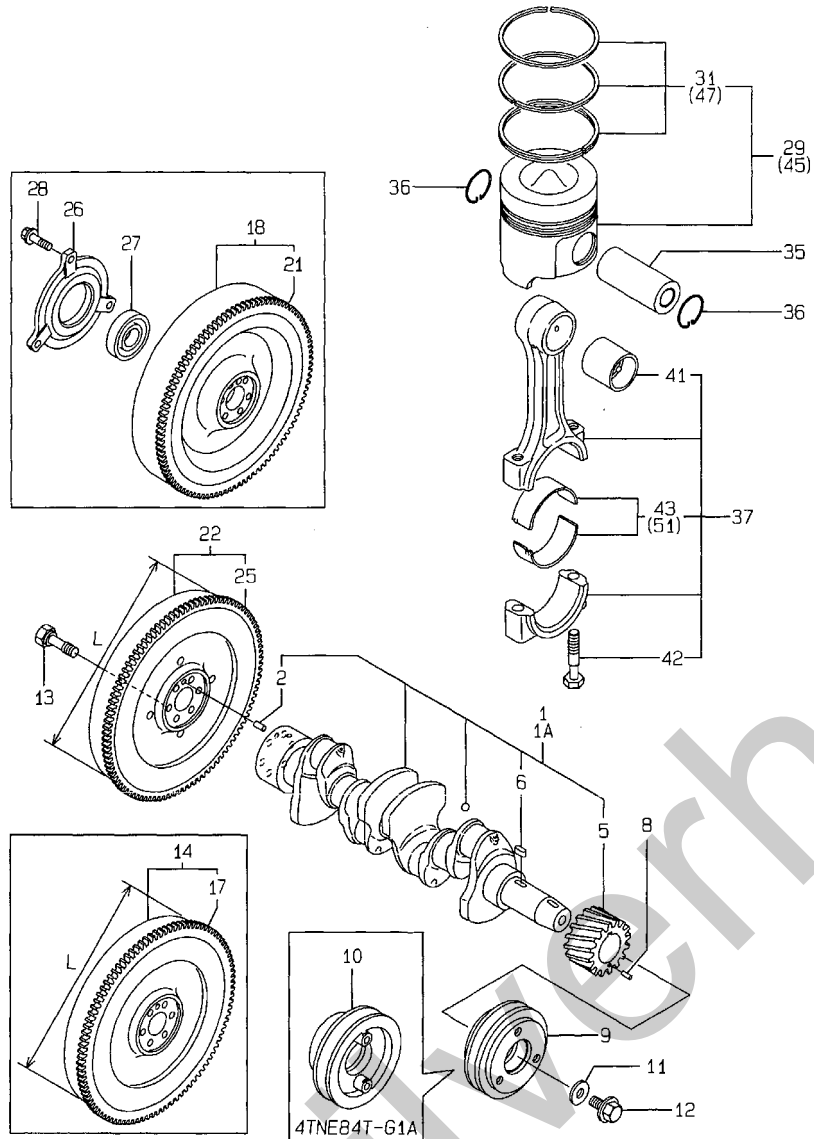
REFER TO Fig.15

REF.	LEV.	PARTS NO.	DESCRIPTION	QTY						I	R	
				(A)	(B)	(C)	(D)	(E)	(F)			
1	1	129150-14200	TAPPET	8	8	8						
2	1	129150-14400	ROD, PUSH	8	8	8						
3	1	729402-14580	CAMSHAFT ASSY	1	1	1						
4	2	129150-02450	METAL,THRUST(CAM	1	1	1						
7	2	129150-14101	GEAR, CAMSHAFT	1	1	1						
8	2	22512-070140	KEY 7X 14	1	1	1						
9	1	129100-25061	SHAFT, IDLE GEAR	1	1	1						
10	1	129150-25101	GEAR W/BUSH	1	1	1						
13	2	129150-25920	BUSH, IDLE GEAR	1	1	1						1
14	1	26106-080452	BOLT M 8X 45 PLATED	2	2	2						
15	1	129150-25900	GEAR, FUEL INJ. PUMP	1	1	1						
16	1	22217-120000	SPRING WASHER	1	1	1						
17	1	26716-120002	NUT 12	1	1	1						
18	1	26106-080162	BOLT M 8X 16 PLATED	2	2	2						

Remarks
 (1) REPAIR PART.

Fig.10. CRANKSHAFT & PISTON

10. CRANKSHAFT & PISTON



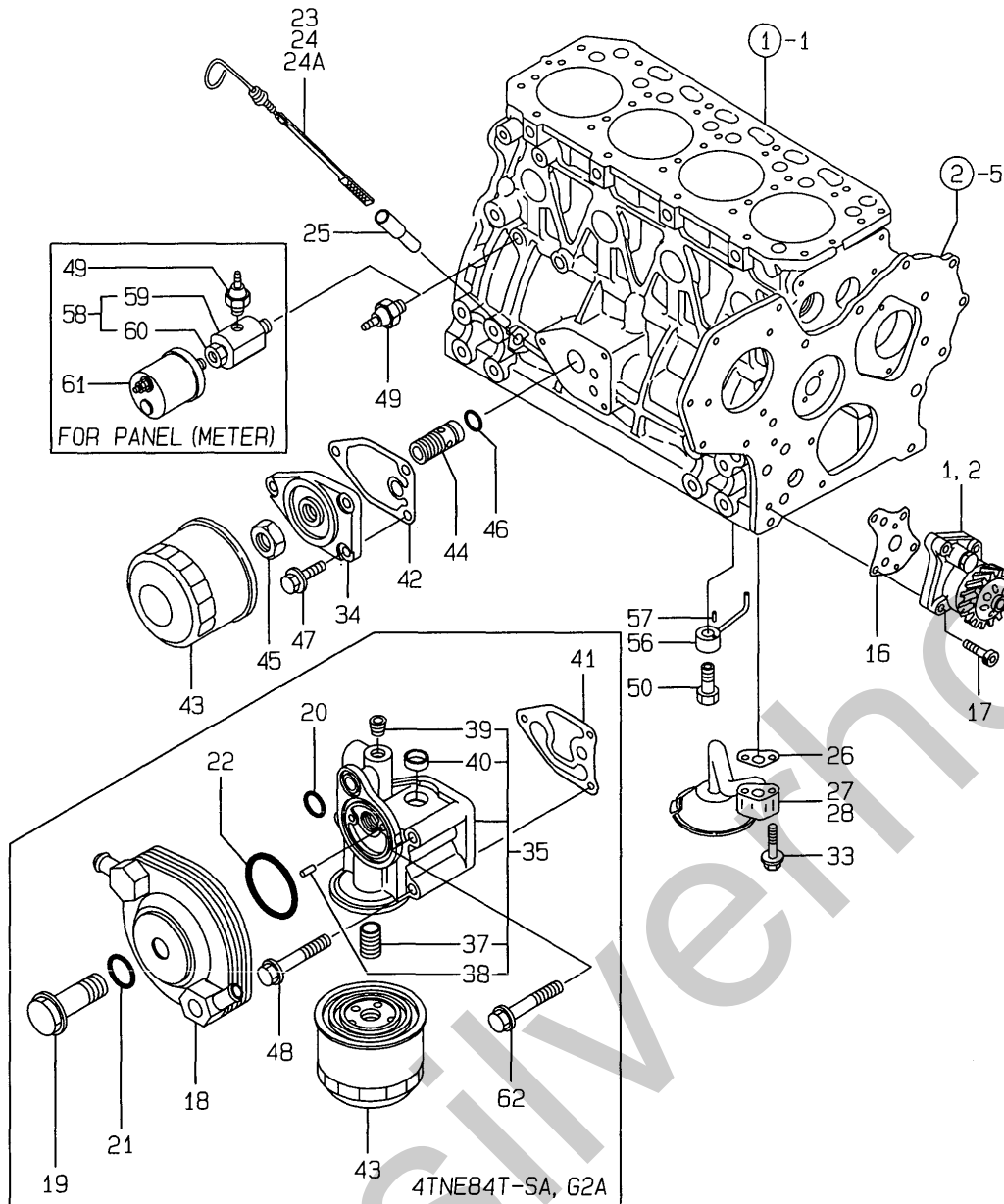
Remarks
 (1) L= 300M/M.
 (2) L= 335M/M.
 (3) REPAIR PART.
 (4) OVER-SIZE (O.S=0.25) PART.
 (5) UNDER-SIZE(U.S=0.25) PART.

(A)=4TNE84T-SA (D)=
 (B)=4TNE84T-G1A (E)=
 (C)=4TNE84T-G2A (F)=

REF.	LEV.	PARTS NO.	DESCRIPTION	QTY						I	R
				(A)	(B)	(C)	(D)	(E)	(F)		
1	1	129407-21000	CRANKSHAFT ASSY	1	1						
1A	1	129418-21000	CRANKSHAFT ASSY				1				
2	2	129100-01580	PARALLEL PIN 8X16	1	1	1					
5	2	129150-21200	GEAR, CRANKSHAFT	1	1	1					
6	2	22512-070140	KEY 7X 14	1	1	1					
8	1	22351-040010	SPRING PIN 4X10	1	1	1					
9	1	171301-21650	V-PULLEY, CRANKSHAFT	1		1					
10	1	129550-21650	V-PULLEY, CRANKSHAFT		1						
11	1	129795-21661	WASHER	1	1	1					
12	1	121850-21680	BOLT, V-PULLEY	1	1	1					
13	1	121111-21501	BOLT, FLYWHEEL	6	6	6					
14	1	171420-21580	FLYWHEEL ASSY	1							1
17	2	119865-21600	GEAR, RING	1							
18	1	129488-21590	FLYWHEEL ASSY	1		1					
21	2	119865-21600	GEAR, RING	1		1					
22	1	171420-21590	FLYWHEEL ASSY	1	1						2
25	2	124550-21600	RING GEAR	1	1						
26	1	119888-21450	RETAINER, BEARING	1							
27	1	24107-062054	BALL BEARING	1							
28	1	26106-080222	BOLT M 8X 22 PLATED	3							
29	1	129002-22090	PISTON W/RING	4	4	4					
31	2	129002-22510	RING SET, PISTON	4	4	4					
35	1	129202-22300	PIN,PISTON	4	4	4					
36	1	22252-000260	CIRCLIP 26	8	8	8					
37	1	729402-23100	ROD ASSY, CONNECTING	4	4	4					
41	2	129100-23910	BUSH, PISTON PIN	4	4	4					3
42	2	121550-23200	BOLT, CONNECTING ROD	8	8	8					
43	2	129150-23600	BEARING, CRANKPIN	4	4	4					
45	1	129002-22900	PISTON W/RING OS=.25	4	4	4					4
47	2	129002-22950	RING SET 0.25	4	4	4					4
51	1	129150-23610	METAL.PIN US=0.25	4	4	4					5

Fig.11. LUB.OIL SYSTEM

11.LUB.OIL SYSTEM

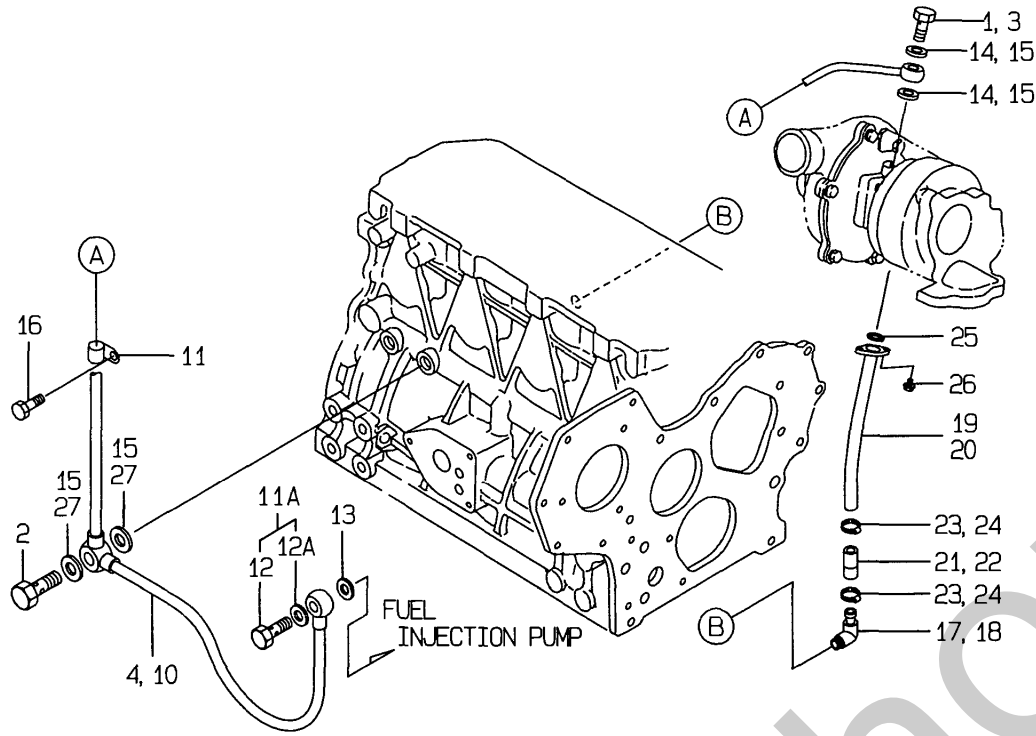


(A)=4TNE84T-SA (D)=
 (B)=4TNE84T-G1A (E)=
 (C)=4TNE84T-G2A (F)=

REF.	LEV.	PARTS NO.	DESCRIPTION	QTY						I	R
				(A)	(B)	(C)	(D)	(E)	(F)		
1	1	129418-32000	PUMP ASSY, LUB. OIL	1		1					
2	1	129407-32000	PUMP ASSY, LUB. OIL		1						
16	1	129150-32020	GASKET, L.O. PUMP	1	1	1					
17	1	26450-060252	BOLT M 6X 25	4	4	4					
18	1	129103-33031	COOLER, LUB. OIL	1	1	1					
19	1	129103-33132	BOLT	1	1	1					
20	1	24311-000200	O-RING 1A P-20.0	1	1	1					
21	1	24311-000210	O-RING 1A P-21.0	1	1	1					
22	1	24321-000550	O-RING 1A G-55.0	1	1	1					
23	1	129403-34800	DIPSTICK, LUB. OIL	1							
24	1	171420-34820	DIPSTICK, LUB. OIL		1						
24-1	1	129136-34800	DIPSTICK, LUB. OIL		1						N
(B=E03176)											
24A	1	129430-34800	DIPSTICK, LUB OIL			1					
25	1	121520-34810	GUIDE, DIPSTICK	1	1	1					
26	1	129150-35041	GASKET, (NON-ASB.)	1	1	1					
27	1	129150-35091	PIPE ASSY, OIL INLET	1							
28	1	129436-35090	PIPE ASSY, LUB. OIL		1						
28-1	1	129436-35091	PIPE ASSY, LUB. OIL		1	1					N
(B=EXXX)											
33	1	26106-080352	BOLT M 8X 35 PLATED	2	2	2					
34	1	129150-35101	BRACKET, STRAINER		1						
35	1	129418-35100	BRACKET ASSY	1	1	1					
37	2	129100-35140	STUD	1	1	1					
38	2	22312-060080	PARALLEL PIN 6X 8	2	2	2					
39	2	23871-020000	PLUG PT1/4, SCREW	1	1	1					
39-1	2	23876-020000	PLUG 1/4	1	1	1					N
(A=EXXX) (C=EXXX)											
40	2	27241-200000	PLUG 20	1	1	1					
41	1	129103-35122	GASKET, (NON-ASB.)	1	1	1					
42	1	129150-35111	GASKET, (NON-ASB.)		1						
43	1	129150-35151	FILTER 80X80L	1	1	1					
44	1	129001-35300	BOLT, LUB.O. STRAINER	1	1	1					
45	1	129150-35350	NUT		1						
46	1	24311-000160	O-RING 1A P-16.0		1						
47	1	26106-080202	BOLT M 8X 20 PLATED		3						
48	1	26106-080752	BOLT M 8X 75 PLATED	3							
48-1	1	26106-080752	BOLT M 8X 75 PLATED	2		2					K
(A=E06094)											
49	1	124160-39450	SWITCH, OIL PRESSURE	1	1	1					
50	1	129792-39410	VALVE ASSY, CHECK	4	4	4					
56	1	129553-39650	NOZZLE	4	4	4					
57	1	22351-030010	SPRING PIN 3X10	4	4	4					
58	1	171375-39600	DAMPER ASSY	1	1	1					
58-1	1	171375-39601	DUMPER ASSY	1	1	1					R
(A=E04523) (B=E03897)											
59	2	129470-39610	DAMPER	1	1	1					Z
(A=E04523) (B=E03897)											
60	2	23161-020100	BUSH PT1/4X1/8	1	1	1					Z
(A=E04523) (B=E03897)											
61	1	144626-91560	TACHO UNIT	1	1	1					
62	1	26106-080702	BOLT M 8X 70 PLATED	1	1	1					W
(A=E06094)											

Fig.12. LUB.OIL LINE

12. LUB.OIL LINE



(A)=4TNE84T-SA (D)=
 (B)=4TNE84T-G1A (E)=
 (C)=4TNE84T-G2A (F)=

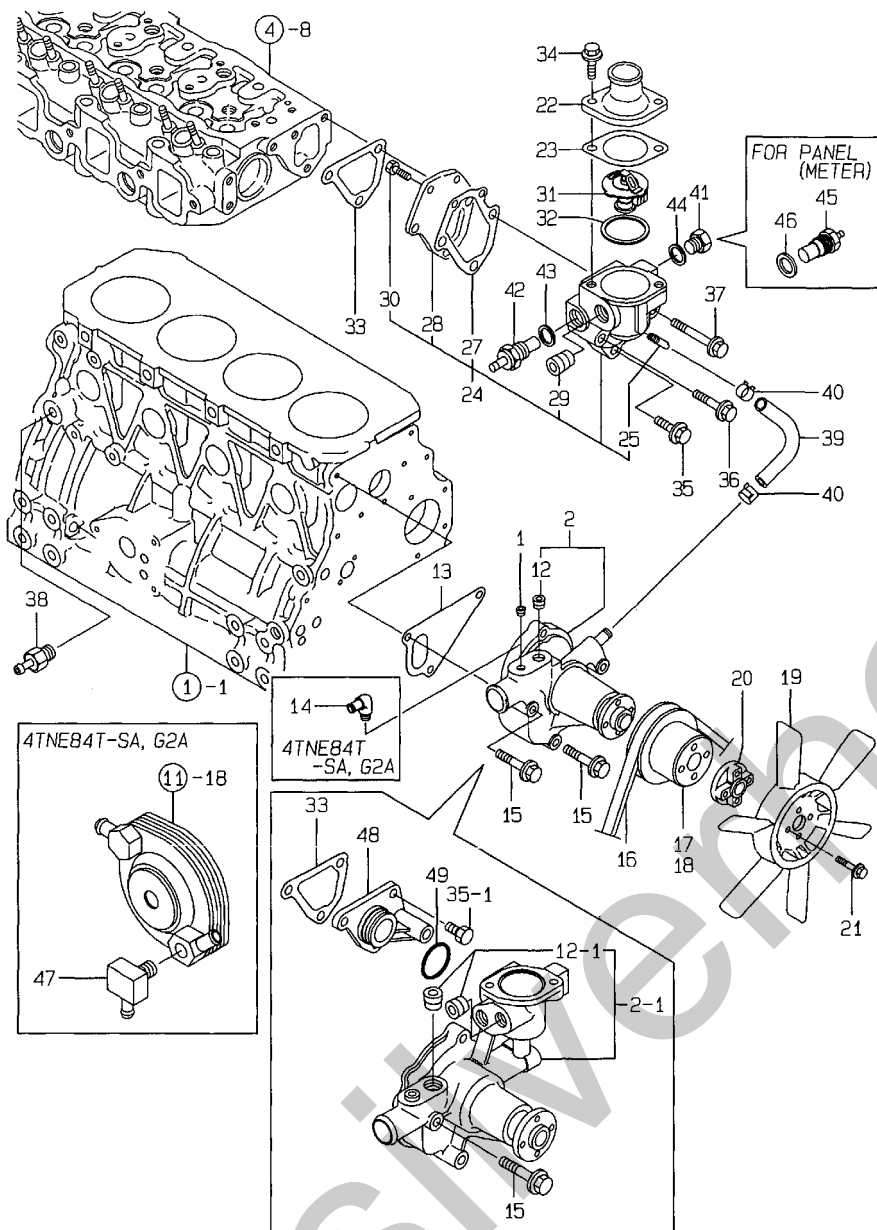
REF.	LEV.	PARTS NO.	DESCRIPTION	QTY						I R
				(A)	(B)	(C)	(D)	(E)	(F)	
1	1	105010-39140	BOLT, PIPE JOINT		1					
2	1	124160-39140	BOLT 10, PIPE JOINT	1	1	1				
3	1	121252-39150	BOLT, PIPE JOINT	1		1				
4	1	129403-39460	PIPE ASSY, LO	1		1				
10	1	129403-39450	PIPE ASSY, LUB. OIL		1					
11	1	124223-39900	RETAINER	1	1	1				
11A	1	124550-59830	BOLT W/ SEAL WASHER	1	1	1				W
		(A=EXXX) (B=EXXX) (C=EXXX)								
12	2	124550-59820	BOLT 8, PIPE JOINT	1	1	1				
12A	2	22190-080002	SEAL WASHER 8S	1	1	1				W
		(A=EXXX) (B=EXXX) (C=EXXX)								
13	1	22190-080002	SEAL WASHER 8S	2	2	2				
13-1	1	22190-080002	SEAL WASHER 8S	1	1	1				K
		(A=EXXX) (B=EXXX) (C=EXXX)								
14	1	23414-080000	GASKET 8, ROUND		2					
15	1	23414-100000	GASKET 10, ROUND	4	2	4				
15-1	1	23414-100000	GASKET 10, ROUND	2	2					K
		(A=EXXX) (C=EXXX)								
15-2	1	22190-100002	SEAL WASHER 10S		2					N
		(B=EXXX)								
16	1	26106-080102	BOLT M 8X 10 PLATED	1	1	1				
17	1	124070-13300	ELBOW (PT3/8)	1		1				
18	1	128270-13620	JOINT PT3/8, PIPE		1					
19	1	129403-39600	PIPE, LUB.OIL RETURN		1					
20	1	129503-39600	PIPE, LUB.OIL RETURN	1		1				
21	1	129403-39610	JOINT, RUBBER		1					
22	1	129506-39610	JOINT, RUBBER	1		1				
23	1	23000-022000	CLAMP 22		2					
24	1	23000-025000	CLAMP 25	2		2				
25	1	24314-000160	O-RING 4C P-16.0	1	1	1				
26	1	26106-060162	BOLT M 6X 16 PLATED	2	2	2				
27	1	22190-100002	SEAL WASHER 10S	2		2				W
		(A=EXXX) (C=EXXX)								

Silverhorn

Fig.13. COOLING WATER SYSTEM

(A)=4TNE84T-SA (D)=
 (B)=4TNE84T-G1A (E)=
 (C)=4TNE84T-G2A (F)=

13.COOLING WATER SYSTEM



REF.	LEV.	PARTS NO.	DESCRIPTION	QTY						I R
				(A)	(B)	(C)	(D)	(E)	(F)	
1	1	121850-11860 (A=E03730) (B=E03264)	PLUG PT1/4	1	1					Z
2	1	129100-42002	PUMP,C.W.(NON-ASB.)	1	1					
2-1	1	129001-42001 (A=E03730) (B=E03264)	PUMP,C.W.(NON-ASB.)	1	1					N
2-2	1	129001-42002 (A=E04523) (B=E04246)	PUMP,C.W.(NON-ASB.)	1	1	1				N
12	2	23871-030000	PLUG PT3/8,SCREW	1	1					
12-1	2	23871-030000	PLUG PT3/8,SCREW	2	2	2				K
12-2	2	23876-030000 (A=E03730) (B=E03264) (A=EXXX) (B=EXXX) (C=EXXX)	PLUG PT3/8,SCREW	2	2	2				N
13	1	129100-42020	GASKET, C.W. PUMP	1	1	1				
14	1	129103-49301	ELBOW PT 1/4	1	1	1				
15	1	26106-080602	BOLT M 8X 60 PLATED	3	3	3				
16	1	121492-42290	V-BELT (A-38)	1	1					
16-1	1	25132-003800 (A=E01427) (B=E01221)	V-BELT (A-38)	1	1	1				R
17	1	129403-42380	V-PULLEY(D=110)	1	1					
18	1	129155-42350	V-PULLEY, C.W. PUMP		1					
19	1	129403-44740	FAN, COOLING (D=370)	1	1	1				
20	1	121267-44760	SPACER	1	1	1				
21	1	26016-060302	BOLT M 6X 30	4	4					
21-1	1	26106-060302	BOLT M 6X 30 PLATED	4	4	4				N
22	1	129350-49530 (A=EXXX) (B=EXXX)	COVER, THERMOSTAT	1	1					
22-1	1	129350-49560	COVER, THERMOSTAT	1	1	1				N
23	1	129795-49551 (A=E03730) (B=E03264)	GASKET, (NON-ASB.)	1	1	1				
24	1	129100-49800	CASE ASSY,THERMOSTAT	1	1					Z
25	2	124770-11770 (A=E03730) (B=E03264)	JOINT PT1/8	1	1					Z
27	2	129100-49820 (A=E03730) (B=E03264)	GASKET, COVER	1	1					Z
28	2	129100-49830	COVER,THERMOST.CASE	1	1					Z
29	2	23871-030000 (A=E03730) (B=E03264)	PLUG PT3/8,SCREW	1	1					Z
30	2	26116-060162 (A=E03730) (B=E03264)	BOLT 6X16	2	2					Z
31	1	129155-49800	THERMOSTAT	1	1	1				
32	1	129150-49811	GASKET, (NON-ASB.)	1	1	1				
33	1	129100-49840	GASKET, THERMO. CASE	1	1	1				
34	1	26106-080202	BOLT M 8X 20 PLATED	2	2	2				
35	1	26106-080252	BOLT M 8X 25 PLATED	1	1					
35-1	1	26106-080182 (A=E03730) (B=E03264)	BOLT M 8X 18 PLATED	3	3					S
35-2	1	26106-080162 (A=EXXX) (B=EXXX)	BOLT M 8X 16 PLATED	3	3	3				N
36	1	26106-080502	BOLT M 8X 50 PLATED	1	1					Z
37	1	26106-080602 (A=E03730) (B=E03264)	BOLT M 8X 60 PLATED	1	1					Z

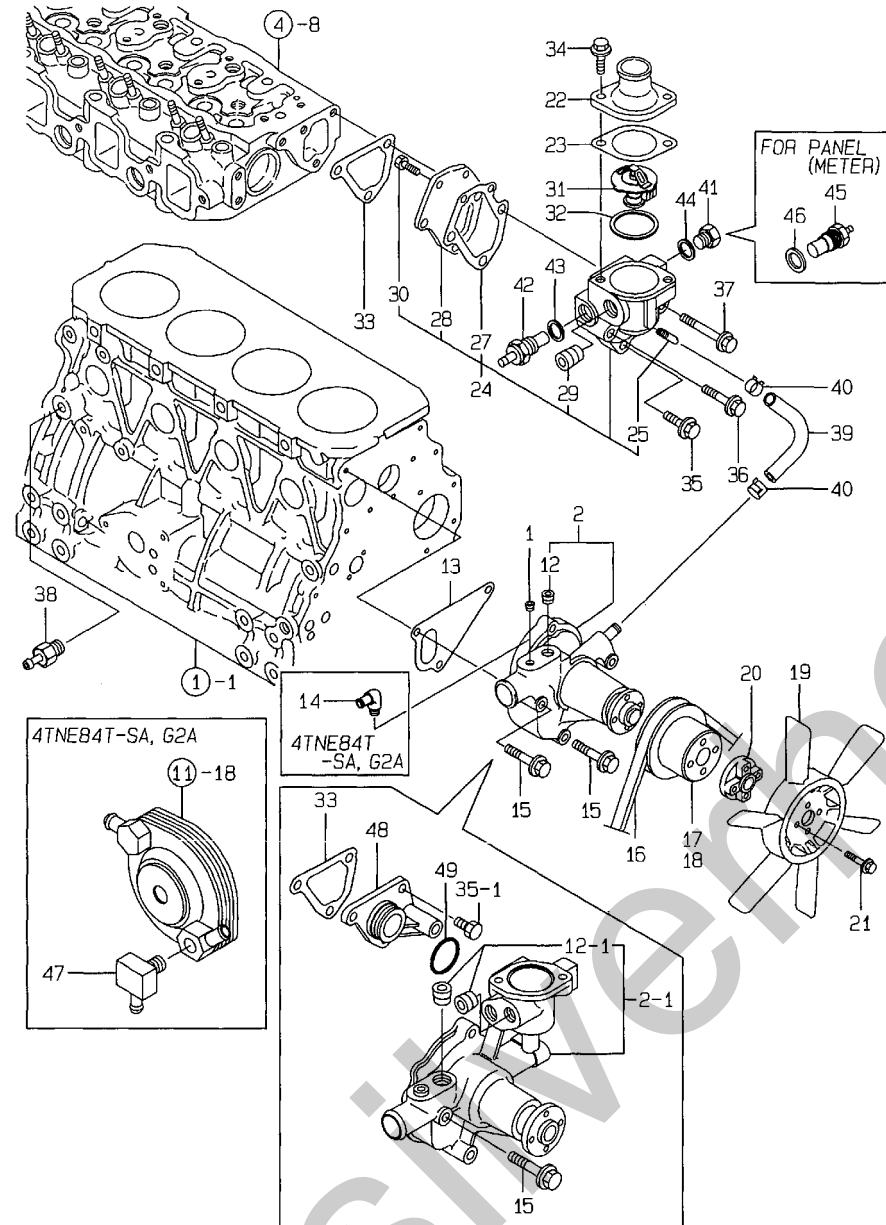
++ CONTINUE ++

Remarks
 (1) FOR PANEL(METER)

(A)=4TNE84T-SA (D)=
 (B)=4TNE84T-G1A (E)=
 (C)=4TNE84T-G2A (F)=

Fig.13. COOLING WATER SYSTEM

13. COOLING WATER SYSTEM

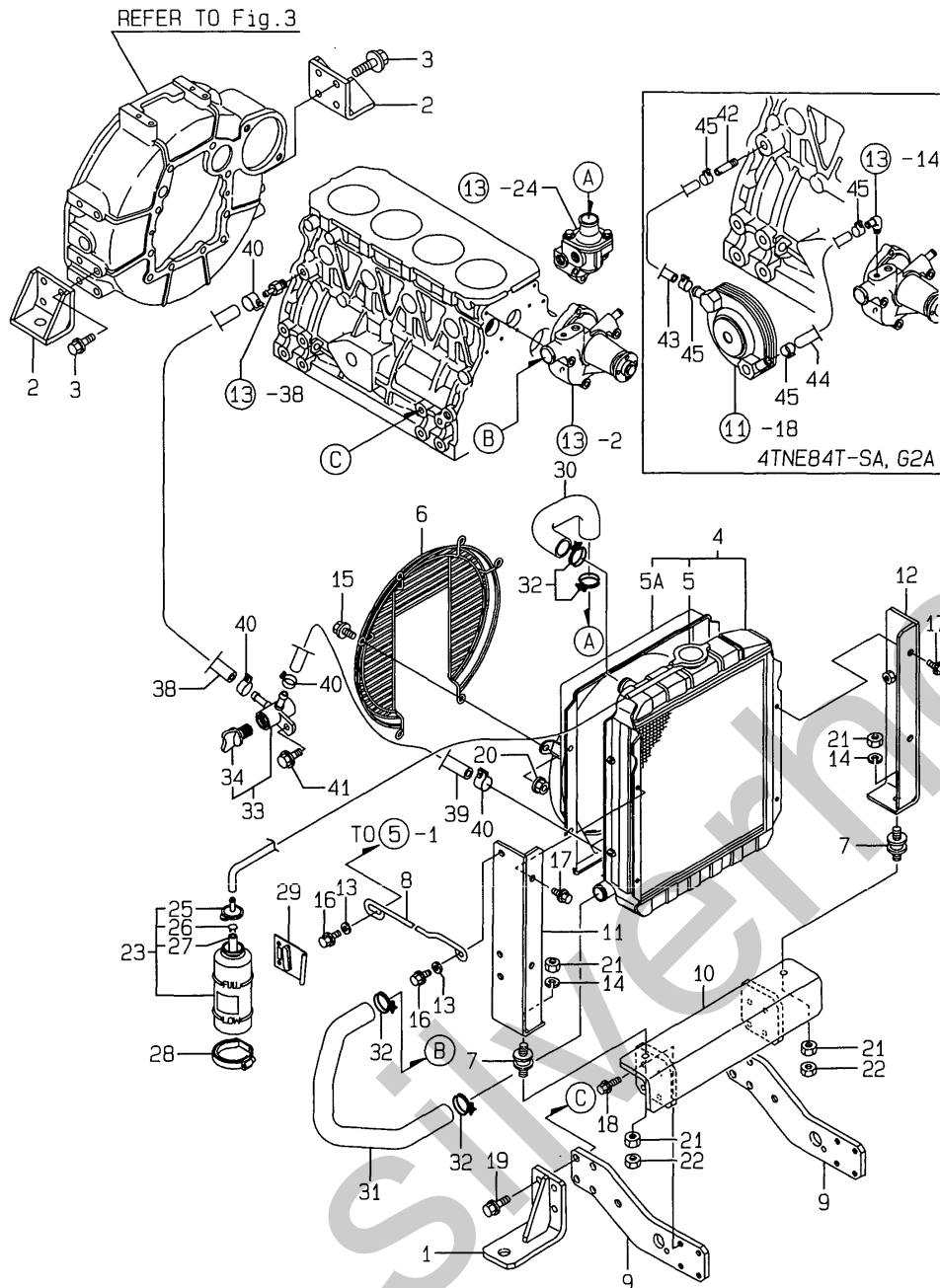


REF.	LEV.	PARTS NO.	DESCRIPTION	QTY						I	R
				(A)	(B)	(C)	(D)	(E)	(F)		
38	1	121550-49111	JOINT PT1/4		1						
39	1	129132-49050 (A=E03730) (B=E03264)	PIPE, COOLING WATER	1	1						Z
40	1	23000-016000 (A=E03730) (B=E03264)	CLAMP 16	2	2						Z
41	1	121450-42450	PLUG M16	1	1	1					
42	1	121250-44901	SWITCH, THERMO(110 C	1	1	1					
43	1	124465-44950	GASKET 16	1	1	1					
44	1	124465-44950	GASKET 16	1	1	1					
45	1	124250-49351	THERMOMETER	1	1	1					1
46	1	129150-49360	GASKET 10	1	1	1					1
47	1	121750-49110	JOINT	1	1	1					
48	1	129001-42040 (A=E03730) (B=E03264)	JOINT	1	1	1					W
49	1	24321-000300 (A=E03730) (B=E03264)	O-RING G30	1	1	1					W

Remarks
 (1) FOR PANEL(METER)

Fig.14. RADIATOR

14. RADIATOR

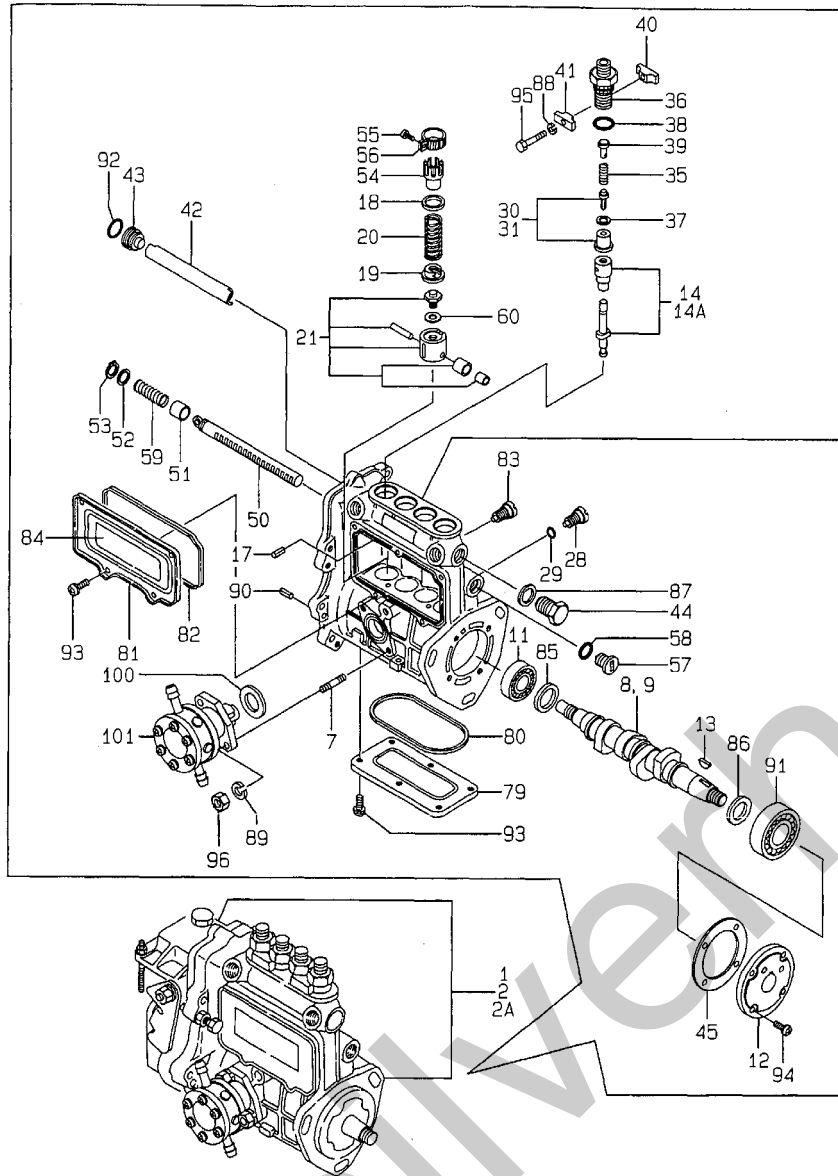


(A)=4TNE84T-SA (D)=
 (B)=4TNE84T-G1A (E)=
 (C)=4TNE84T-G2A (F)=

REF.	LEV.	PARTS NO.	DESCRIPTION	QTY						I	R
				(A)	(B)	(C)	(D)	(E)	(F)		
1	1	129188-08100	BRACKET (A), ENGINE	2	2						
2	1	119888-08110	BRACKET (B), ENGINE	2	2						
3	1	26106-100202	BOLT M10X 20 PLATED	8	8						
4	1	129422-44500	RADIATOR	1	1	1					
5	2	119259-44570	CAP, RADIATOR	1	1	1					
5A	2	X2411263340	SHROUD, FAN	1	1	1					W
		(A=E05342) (B=E05346)									
6	1	129420-44560	PROTECTOR, FAN	1	1	1					
7	1	121400-44650	ABSORBER, SHOCK	2	2						
8	1	129488-44940	STAY, RADIATOR	1	1						
9	1	129188-44950	BRACKET (A)	2	2						N
9-1	1	129608-44950	BRACKET (A)	2	2						
		(A=E05342) (B=E05346)									
10	1	129488-44960	BRACKET (B),RADIATOR	1	1						
11	1	129488-44971	BRACKET (L)	1	1	1					
12	1	129488-44981	BRACKET (R)	1	1	1					
13	1	22137-080000	WASHER 8, POLISHED	2	2	2					
14	1	22217-100000	SPRING WASHER 10	2	2						
15	1	26106-080122	BOLT M 8X 12 PLATED	6	6	6					
16	1	26106-080162	BOLT M 8X 16 PLATED	2	2	2					
17	1	26106-080202	BOLT M 8X 20 PLATED	4	4						
18	1	26106-080252	BOLT M 8X 25 PLATED	8	8						
19	1	26106-100302	BOLT M10X 30 PLATED	8	8						
20	1	26366-080002	NUT M 8	6	6	6					
20-1	1	26306-080002	NUT	6	6	6					N
		(A=E05342) (B=E05346) (C=E05346)									
21	1	26716-100002	NUT 10	4	4						
22	1	26756-100002	LOCK NUT M10 PLATED	2	2						
23	1	124450-44510	SUB-TANK ASSY	1	1	1					
25	2	124450-44530	CAP	1	1	1					
26	2	124450-44560	CLAMP	1	1	1					
27	2	23061-070230	PIPE 7X 230	1	1	1					
28	1	124450-44550	CLAMP, SUB-TANK	1	1	1					
29	1	121256-44600	BRACKET, SUB-TANK	1	1	1					
30	1	171440-49010	PIPE (A), C. WATER	1	1	1					
31	1	171420-49020	PIPE (B), C. WATER	1	1	1					
32	1	23010-038000	CLAMP 38	4	4	4					
33	1	129150-49100	COCK ASSY, 3-WAY	1	1	1					
34	2	129150-49080	COCK, DRAIN	1	1	1					
38	1	121456-49160	PIPE, WATER DRAIN	1	1						
39	1	121520-49160	PIPE, WATER DRAIN	1	1						
40	1	124766-59050	CLAMP 12	4	4						
41	1	26106-080162	BOLT M 8X 16 PLATED	1	1						
42	1	129122-44480	JOINT	1		1					
43	1	129403-49031	PIPE,CYL-LO.COOLER	1		1					
44	1	129403-49050	PIPE,COOLER-C.W.PUMP	1		1					
45	1	23000-022000	CLAMP 22	4		4					

Fig.15. FUEL INJECTION PUMP

15.FUEL INJECTION PUMP



Remarks
 (1)GOVERNOR ASSY(FIG.16)IS
 INCORPORATED IN THIS FUEL
 INJECTION PUMP ASSY(REF.NO.1,2,2A)

Y00R4551 15. FUEL INJECTION PUMP

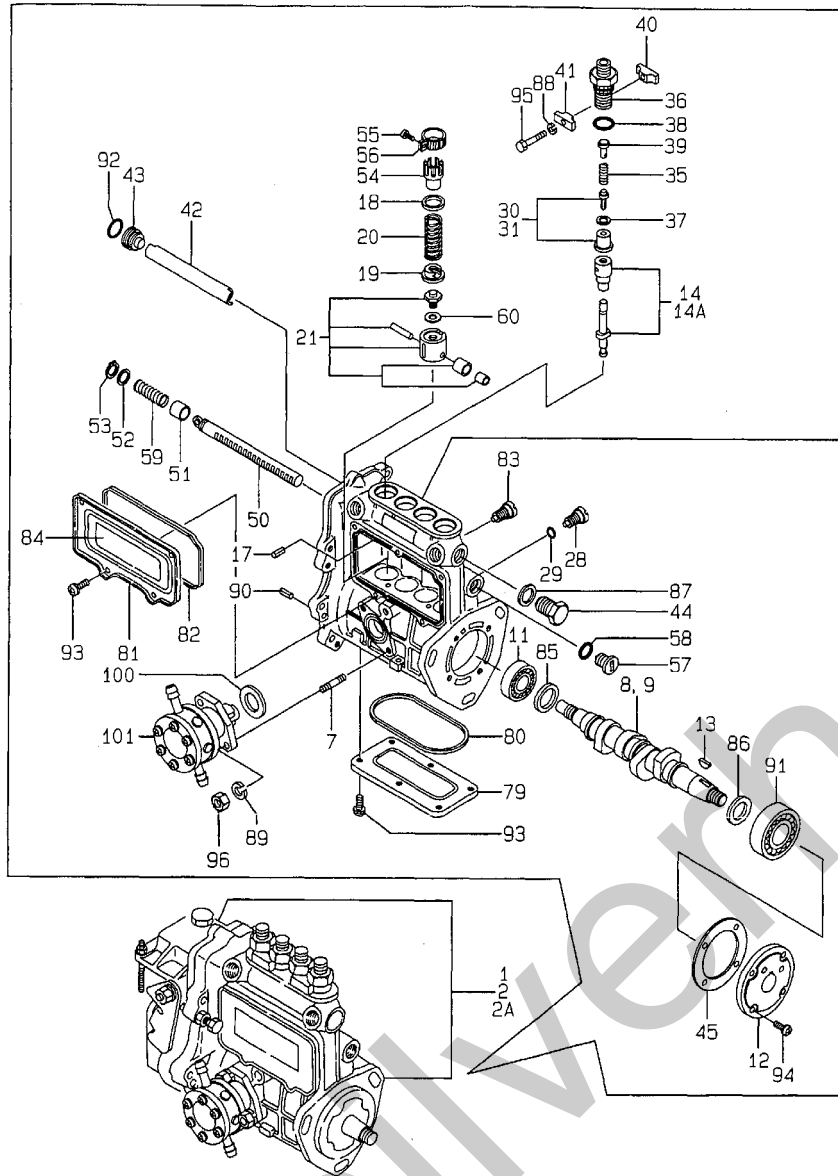
(A)=4TNE84T-SA (D)=
 (B)=4TNE84T-G1A (E)=
 (C)=4TNE84T-G2A (F)=

REF.	LEV.	PARTS NO.	DESCRIPTION	QTY						I	R
				(A)	(B)	(C)	(D)	(E)	(F)		
1	1	729418-51350	PUMP ASSY, F.INJECT.	1							1
2	1	729418-51300	PUMP W/GOV. & F.PUMP		1						1
2A	1	729418-51410	PUMP ASSY, F.INJECT				1				1
7	2	129155-51020	STUD, FEED PUMP		2	2	2				
8	2	129470-51040	CAMSHAFT		1		1				
9	2	129506-51040	CAMSHAFT			1					
11	2	129155-51050	BALL BEARING, THRUST	1	1	1					
12	2	129155-51060	CAM SHAFT SUPPORT	1	1	1					
13	2	122710-51090	KEY	1	1	1					
14	2	129506-51100	PLUNGER W/BARREL	4	4						
14-1	2	129470-51101	PLUNGER W/BARREL	4	4						N
		(A=E04748) (B=E05214)									
14A	2	129403-51200	PLUNGER W/BARREL				4				
17	2	129155-51140	PIN, BARREL LOCKING	4	4	4					
18	2	174307-51170	RETAINER A	4	4	4					
19	2	129155-51180	SPRING SHOE, PLUNGER	4	4	4					
20	2	124950-51190	SPRING, PLUNGER	4	4	4					
21	2	129155-51200	TAPPET ASSY	4	4	4					
28	2	129155-51270	LOCKING, TAPPET	4	4	4					
29	2	129155-51280	O-RING S6	4	4	4					
30	2	129100-51300	VALVE W/SEAT, DELIV.			4					
31	2	105300-51300	VALVE W/SEAT, DELIV.	4		4					
35	2	129155-51320	SPRING, DELIV. VALVE	4	4	4					
36	2	129155-51340	GUARD,DELIVERY VALVE	4	4	4					
37	2	124550-51350	GASKET, DELIVERY	4	4	4					
38	2	124550-51370	O-RING, DELIVERY	4	4	4					
39	2	129155-51370	STOPPER, VALVE	4	4	4					
40	2	129155-51380	LOCKING (A)	2	2	2					
41	2	129155-51390	LOCKING (B)	2	2	2					
42	2	129555-51400	DEFLECTER	1	1	1					
43	2	129155-51410	CHECK BOLT,DEFLECTOR	1	1	1					
44	2	129155-51420	PLUG (M16)	1	1	1					
45	2	129155-51450	SHIM SET, ADJUSTING	1	1	1					
50	2	129555-51500	RACK, CONTROL	1	1	1					
51	2	129155-51521	BUSH, RACK	1	1	1					
52	2	129155-51530	SPACER, AUX. SPRING	1	1	1					
53	2	129155-51540	CIRCLIP	1	1	1					
54	2	129155-51550	PINION, CONTROL	4	4	4					
55	2	122117-51560	SCREW, PINION	4	4	4					
56	2	174307-51560	PINION	4	4	4					
57	2	129155-51570	PLUG (M12)	1	1	1					
58	2	129155-51580	O-RING	1	1	1					
59	2	129155-51591	SPRING, RACK	1	1	1					
60	2	129155-51600	SHIM PACK	4	4	4					
79	2	129555-51700	COVER	1	1	1					
80	2	129555-51710	GASKET	1	1	1					
81	2	129555-51750	COVER, SIDE	1	1	1					
82	2	129555-51760	GASKET	1	1	1					
83	2	129155-51790	LOCKING, RACK	1	1	1					
84	2	129156-51910	LABEL, CAUTION	1	1	1					
85	2	129155-51930	SPACER T=3.25	1	1	1					
86	2	129155-51940	SPACER T=1.5	1	1	1					
87	2	22190-160002	SEAL WASHER 16S	1	1	1					
88	2	12217-050000	SPRING WASHER 5	2	2	2					

++ CONTINUE ++

Fig.15. FUEL INJECTION PUMP

15.FUEL INJECTION PUMP



Remarks
 (1)GOVERNOR ASSY(FIG.16)IS
 INCORPORATED IN THIS FUEL
 INJECTION PUMP ASSY(REF.NO.1,2,2A)

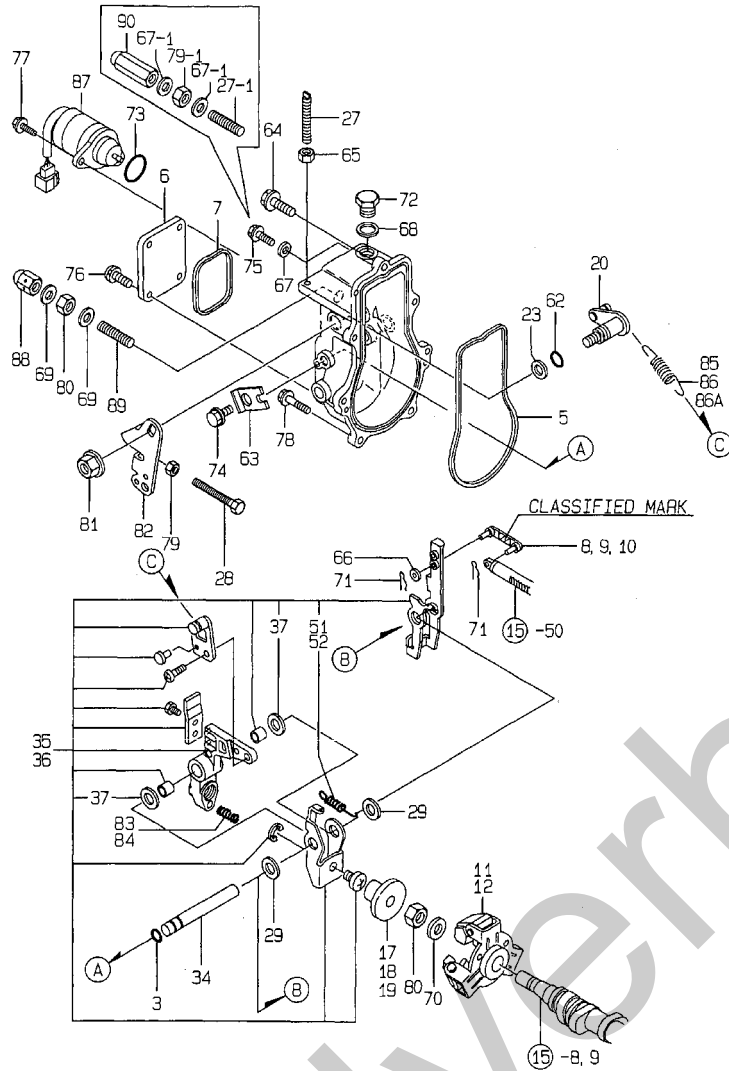
(A)=4TNE84T-SA (D)=
 (B)=4TNE84T-G1A (E)=
 (C)=4TNE84T-G2A (F)=

REF.	LEV.	PARTS NO.	DESCRIPTION	QTY						I	R
				(A)	(B)	(C)	(D)	(E)	(F)		
89	2	22217-060000	SPRING WASHER 6	2	2	2					
90	2	22351-050010	SPRING PIN 5X10	2	2	2					
91	2	24101-063034	BALL BEARING	1	1	1					
92	2	24341-000160	O-RING 1A S-16.0	1	1	1					
93	2	26022-050102	SCREW M 5X 10	11	11	11					
94	2	26022-060162	SCREW M 6X 16	4	4	4					
95	2	26116-050302	BOLT M 5X 30 PLATED	2	2	2					
96	2	26716-060002	NUT 6	2	2	2					
100	2	129155-52050	GASKET	1	1	1					
101	2	129100-52100	PUMP ASSY, FUEL FEED	1	1	1					

Fig.16. GOVERNOR

(A)=4TNE84T-SA (D)=
 (B)=4TNE84T-G1A (E)=
 (C)=4TNE84T-G2A (F)=

16. GOVERNOR



REF.	LEV.	PARTS NO.	DESCRIPTION	QTY						I	R
				(A)	(B)	(C)	(D)	(E)	(F)		
3	2	129155-51280	O-RING S6	1	1	1					
5	2	129052-61050	PACKING	1	1	1					
6	2	129052-61060	COVER	1	1	1					
7	2	129052-61070	PACKING	1	1	1					
8	2	129155-61120	LINK L=30(MARK 0)	1	1	1					1
9	2	129155-61130	LINK L=31(MARK 1)	1	1	1					1
10	2	129155-61140	LINK L=30.5(MARK 05)	1	1	1					1
11	2	129155-61201	WEIGHT ASSY,GOVERNOR	1		1					
12	2	171488-61200	WEIGHT ASSY, GOV.		1						
17	2	129155-61341	SLEEVE	1	1	1					2
18	2	129155-61350	SLEEVE	1	1	1					2
19	2	129155-61360	SLEEVE	1	1	1					2
20	2	129100-61400	SHAFT ASSY, CONTROL	1	1	1					
23	2	129155-61430	SPACER, SHAFT	1	1	1					
27	2	129155-61450	BOLT, REVOL. LIMIT	1	1	1					
27-1	2	129155-61450	BOLT, REVOL. LIMIT	2	2						K
		(A=E04748) (B=E05214)									
28	2	129155-61460	BOLT, IDLE LIMIT	1	1	1					
29	2	129155-61480	SPACER ASSY	2	2	2					
34	2	129052-61390	SHAFT, GOV. LEVER	1	1	1					
35	2	129052-61500	LEVER ASSY,GOVERNOR	1							
36	2	129412-61500	LEVER ASSY,GOVERNOR		1	1					
37	3	174307-51700	SHIM SET	2	2	2					
51	3	129052-61540	SPRING	1							
52	3	119843-61540	SPRING		1	1					
62	2	129155-61830	O-RING S10	1	1	1					
63	2	119660-61901	RETAINER, SHAFT	1	1	1					
64	2	129155-61950	BOLT, WASHER BASED	1	1	1					
65	2	124550-66370	LOCK NUT M 6	1	1	1					
66	2	22117-040000	WASHER 4	1	1	1					
67	2	22190-060002	SEAL WASHER 6S	1	1	1					
67-1	2	22190-060003	SEAL WASHER 6	2	2						N
		(A=E04748) (B=E05214)									
68	2	22190-100002	SEAL WASHER 10S	1	1	1					
69	2	22190-120002	SEAL WASHER 12	2	2	2					
70	2	22287-120000	WASHER 12	1	1	1					
71	2	22372-040000	SNAP PIN 4	2	2	2					
72	2	23887-100002	PLUG 10	1	1	1					
73	2	24341-000280	O-RING 1A S-28.0	1	1	1					
74	2	26106-060102	BOLT M 6X 10 PLATED	1	1	1					
75	2	26106-060102	BOLT M 6X 10 PLATED	1	1	1					Z
		(A=E04748) (B=E05214)									
76	2	26106-060102	BOLT M 6X 10 PLATED	4	4	4					
77	2	26106-060142	BOLT M 6X 14 PLATED	2	2	2					
78	2	26106-060202	BOLT M 6X 20 PLATED	6	6	6					
79	2	26756-060002	LOCK NUT 6	1	1						
79-1	2	26756-060002	LOCK NUT 6	2	2						K
		(A=E04748) (B=E05214)									
80	2	26776-120002	LOCK NUT M12 PLATED	2	2	2					
81	2	26366-080002	NUT M 8	1	1	1					
82	2	129100-61440	LEVER, CONTROL	1	1	1					
82-1	2	171488-61440	LEVER, CONTROL		1						R
		(B=E05093)									
83	2	129100-61650	SPRING, FUEL CONTROL	1							

Remarks

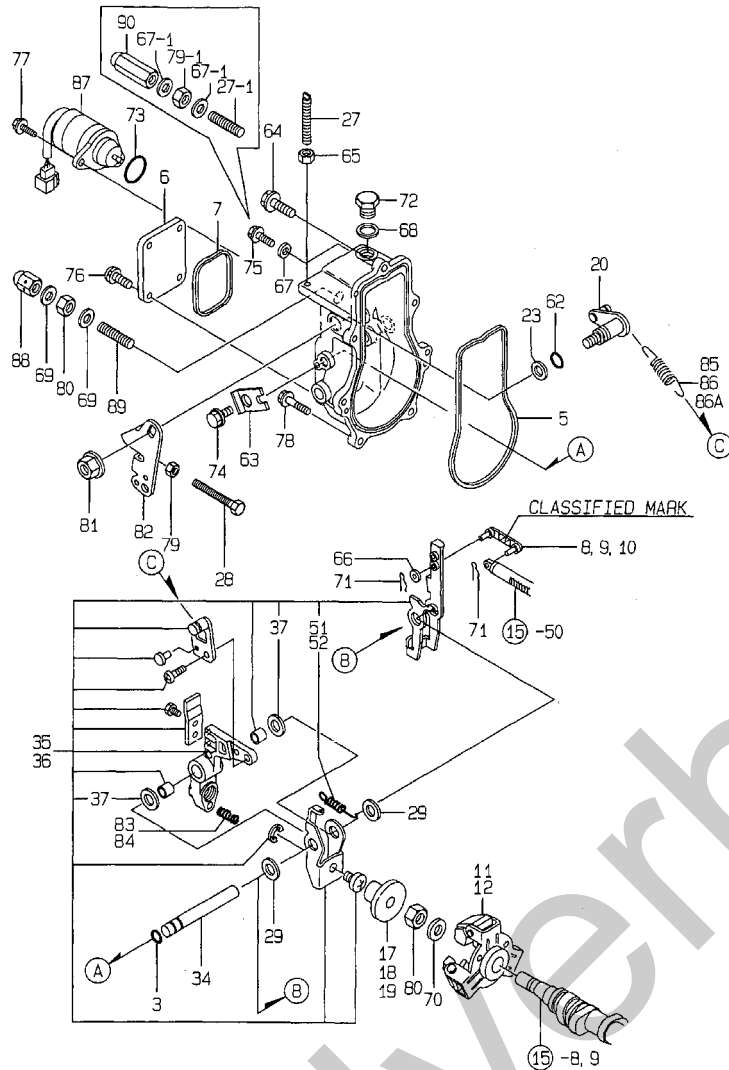
- (1) SELECTIVE PARTS: CERTAIN THE CLASSIFICATION MARK, THEN PLACE YOUR ORDER.(REFER TO ILLUSTRATION).
- (2) SELECTIVE PARTS.
 * THIS FIGURE(GOVERNOR ASSY) IS INCORPORATED IN THE FUEL INJECTION PUMP ASSY(FIG.15).

++ CONTINUE ++

Fig.16. GOVERNOR

(A)=4TNE84T-SA (D)=
 (B)=4TNE84T-G1A (E)=
 (C)=4TNE84T-G2A (F)=

16. GOVERNOR



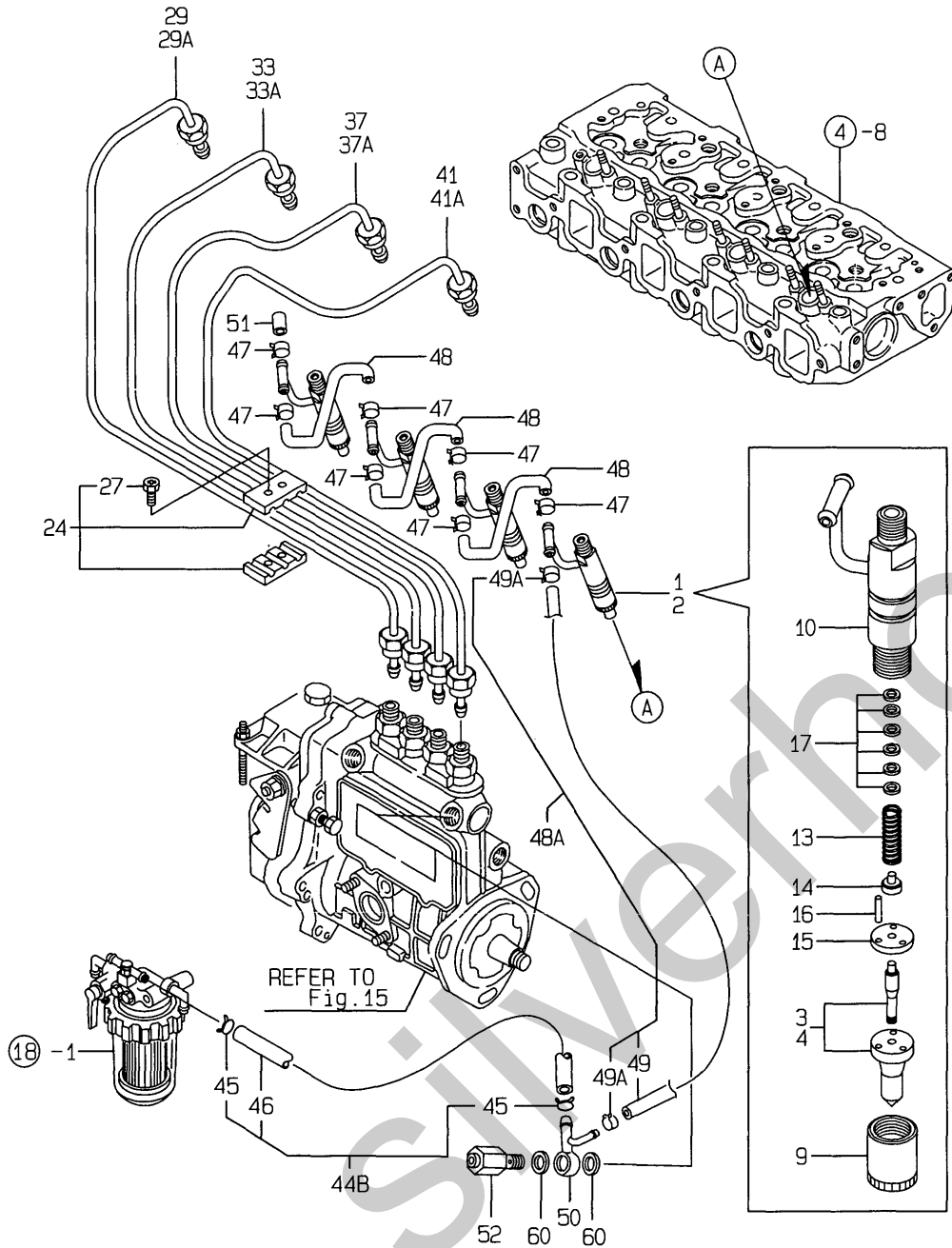
REF.	LEV.	PARTS NO.	DESCRIPTION	QTY						I	R
				(A)	(B)	(C)	(D)	(E)	(F)		
84	2	129500-61650	SPRING, FUEL CONTROL		1	1					
85	2	171353-61700	SPRING, GOVERNOR	1							
85-1	2	171353-61720	SPRING, GOVERNOR	1							N
(A=E06216)											
86	2	129477-61720	SPRING, GOVERNOR		1						
86A	2	171335-61710	SPRING, GOVERNOR			1					
87	2	119653-77950	SOLENOID, STOP	1	1	1					
88	2	26687-120002	CAP NUT M12	1	1						
88-1	2	129100-61930	NUT, CAP	1		1					N
(A=E06216)											
89	2	129155-61470	BOLT, FUEL CONTROL	1	1	1					
90	2	119600-66840	NUT, CAP	1	1						W
(A=E04748)		(B=E05214)									

Remarks

- (1) SELECTIVE PARTS: CERTAIN THE CLASSIFICATION MARK, THEN PLACE YOUR ORDER.(REFER TO ILLUSTRATION).
- (2) SELECTIVE PARTS.
 * THIS FIGURE(GOVERNOR ASSY) IS INCORPORATED IN THE FUEL INJECTION PUMP ASSY(FIG.15).

Fig.17. FUEL INJECTION VALVE

17.FUEL INJECTION VALVE

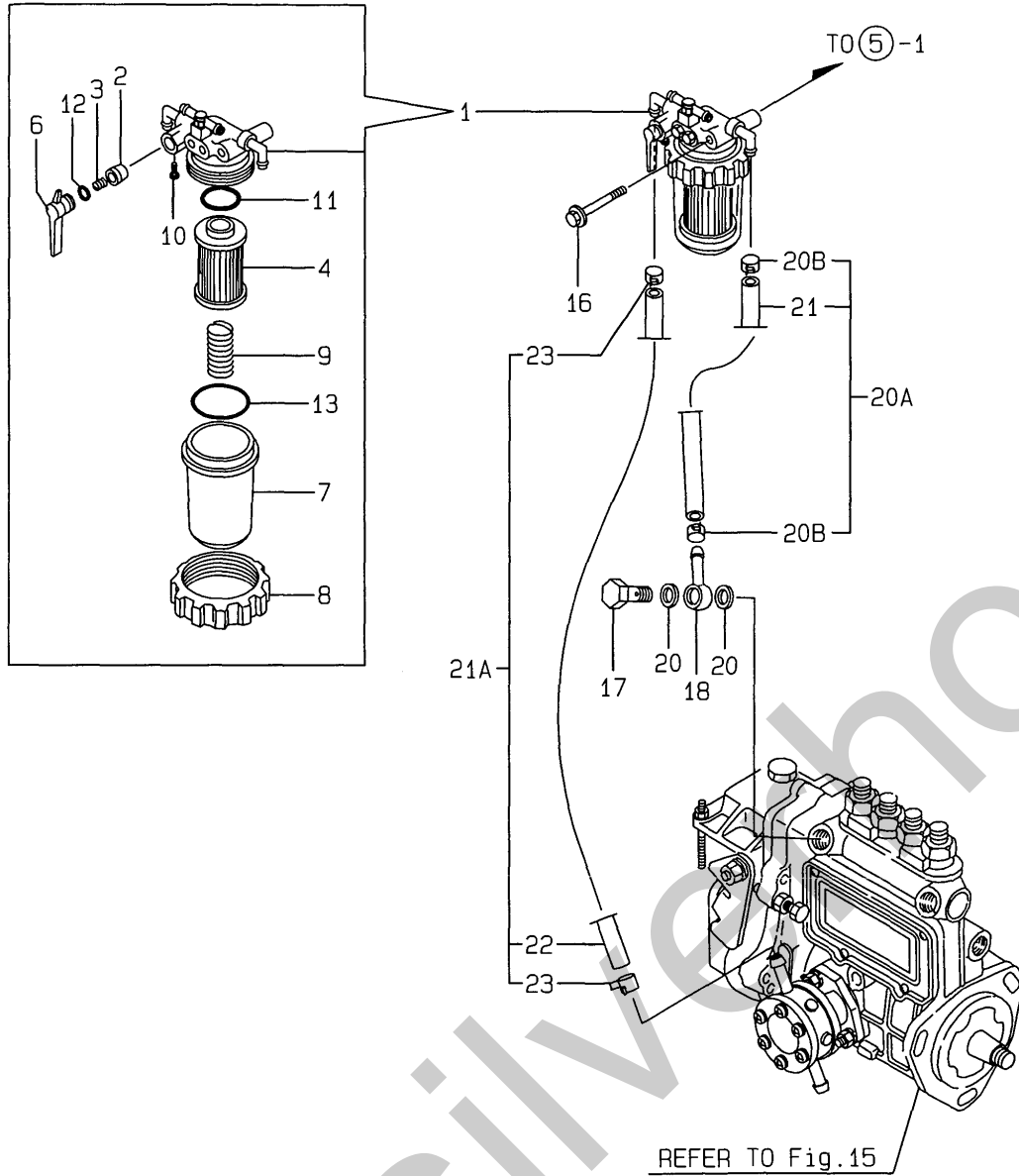


(A)=4TNE84T-SA (D)=
 (B)=4TNE84T-G1A (E)=
 (C)=4TNE84T-G2A (F)=

REF.	LEV.	PARTS NO.	DESCRIPTION	QTY						I	R
				(A)	(B)	(C)	(D)	(E)	(F)		
1	1	729503-53200	VALVE ASSY, F.INJECT	4							
1-1	1	729103-53100	VALVE ASSY, F.INJECT	4	4						N
(A=E06481)											
2	1	729503-53100	VALVE ASSY, F.INJECT		4						
3	2	129503-53050	NOZZLE ASSY, F.INJECT	4							
3-1	2	129103-53000	NOZZLE ASSY, F.INJECT	4	4						N
(A=E06481)											
4	2	129503-53000	NOZZLE ASSY, F.INJECT		4						
9	2	114250-53080	NUT, NOZZLE CASE	4	4	4					
10	2	129100-53100	HOLDER ASSY, NOZZLE	4	4	4					
13	2	114250-53120	SPRING, NOZZLE	4	4	4					
14	2	114250-53130	SEAT, NOZZLE SPRING	4	4	4					
15	2	114250-53140	PLATE, STOP	4	4	4					
16	2	114250-53210	PIN	8	8	8					
17	2	114250-53400	SHIM PACK	4	4	4					
24	1	129150-59120	RETAINER, INJ. PIPE	2	2	2					
27	2	129150-59131	BOLT M4X14, HEX. SCKT.	4	4	4					
29	1	129400-59910	PIPE, FUEL INJECTION	1	1						
29A	1	129400-59810	PIPE, FUEL INJECTION							1	
33	1	129400-59920	PIPE, FUEL INJECTION	1	1						
33A	1	129400-59820	PIPE, FUEL INJECTION							1	
37	1	129400-59930	PIPE, FUEL INJECTION	1	1						
37A	1	129400-59830	PIPE, FUEL INJECTION							1	
41	1	129400-59940	PIPE, FUEL INJECTION	1	1						
41A	1	129400-59840	PIPE, FUEL INJECTION							1	
44B	1	129210-59150	PIPE ASSY, FUEL OIL	1	1	1					W
(A=E07432) (B=E07294) (C=E05787)											
45	2	124766-59050	CLAMP 12	2	2	2					
46	2	105025-59530	PIPE, FUEL (D13XL400)	1	1	1					
47	1	124066-59100	CLAMP 8	9	9	9					
47-1	1	124066-59100	CLAMP 8	7	7	7					K
(A=EXXX) (B=EXXX) (C=EXXX)											
48	1	121250-59550	PIPE, FUEL	3	3	3					
48A	1	119840-59500	PIPE ASSY, RETURN	1	1	1					W
(A=EXXX) (B=EXXX) (C=EXXX)											
49	2	119840-59560	PIPE, FUEL RETURN	1	1	1					
49A	2	124066-59100	CLAMP 8	2	2	2					W
(A=EXXX) (B=EXXX) (C=EXXX)											
50	1	119840-59570	JOINT	1	1	1					
51	1	129150-59580	CAP	1	1	1					
52	1	129100-59951	VALVE ASSY, CHECK	1	1	1					
60	1	23414-120000	GASKET 12, ROUND	2	2	2					

Fig.18. FUEL FILTER

18.FUEL FILTER

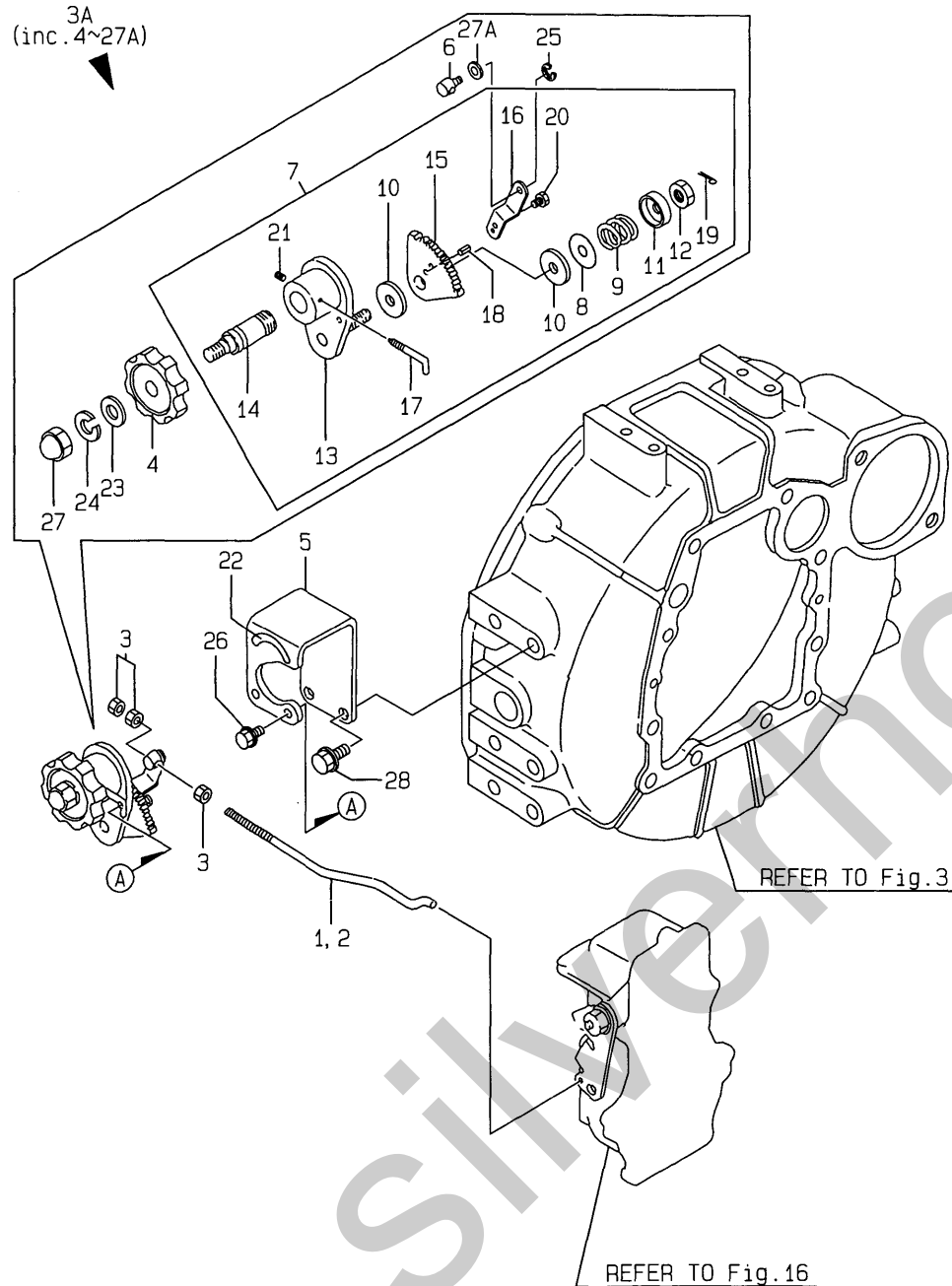


(A)=4TNE84T-SA (D)=
 (B)=4TNE84T-G1A (E)=
 (C)=4TNE84T-G2A (F)=

REF.	LEV.	PARTS NO.	DESCRIPTION	QTY						I	R
				(A)	(B)	(C)	(D)	(E)	(F)		
1	1	129052-55620	STRAINER ASSY, FUEL	1	1	1					
2	2	104200-55321	VALVE, TAPER	1	1	1					
3	2	104200-55330	SPRING, TAPER VALVE	1	1	1					
4	2	129100-55650	ELEMENT, FUEL	1	1	1					
6	2	129100-55670	LEVER	1	1	1					
7	2	129100-55680	CUP, STRAINER	1	1	1					
8	2	129100-55690	RING, RETAINING	1	1	1					
9	2	129100-55700	SPRING	1	1	1					
10	2	104200-55750	SCREW M 4	1	1	1					
11	2	24311-000160	O-RING 1A P-16.0	1	1	1					
12	2	24311-240100	O-RING 1A P-10A	1	1	1					
13	2	24321-000650	O-RING 1A G-65.0	1	1	1					
16	1	26014-080702	BOLT W/WASHER M8X 70	1	1	1					
17	1	103854-39140	BOLT, PIPE JOINT	1	1	1					
18	1	101304-59020	JOINT 12, PIPE	1	1	1					
20	1	104200-59170	GASKET 12	2	2						
20-1	1	22190-120002	SEAL WASHER 12	2	2	2					N
		(A=E03730) (B=E03442)									
20A	1	129210-59040	PIPE ASSY, FUEL OIL	1	1	1					W
		(A=E07432) (B=E07294) (C=E05787)									
20B	2	124766-59050	CLAMP 12	2	2	2					W
		(A=E07432) (B=E07294) (C=E05787)									
21	2	129555-59510	PIPE, FUEL	1	1	1					
21A	1	129210-59150	PIPE ASSY, FUEL OIL	1	1	1					W
		(A=E07432) (B=E07294) (C=E05787)									
22	2	105025-59530	PIPE, FUEL (D13XL400)	1	1	1					
23	2	124766-59050	CLAMP 12	2	2	2					W
		(A=E07432) (B=E07294) (C=E05787)									

Fig.19. ENGINE CONTROL DEVICE

19. ENGINE CONTROL DEVICE

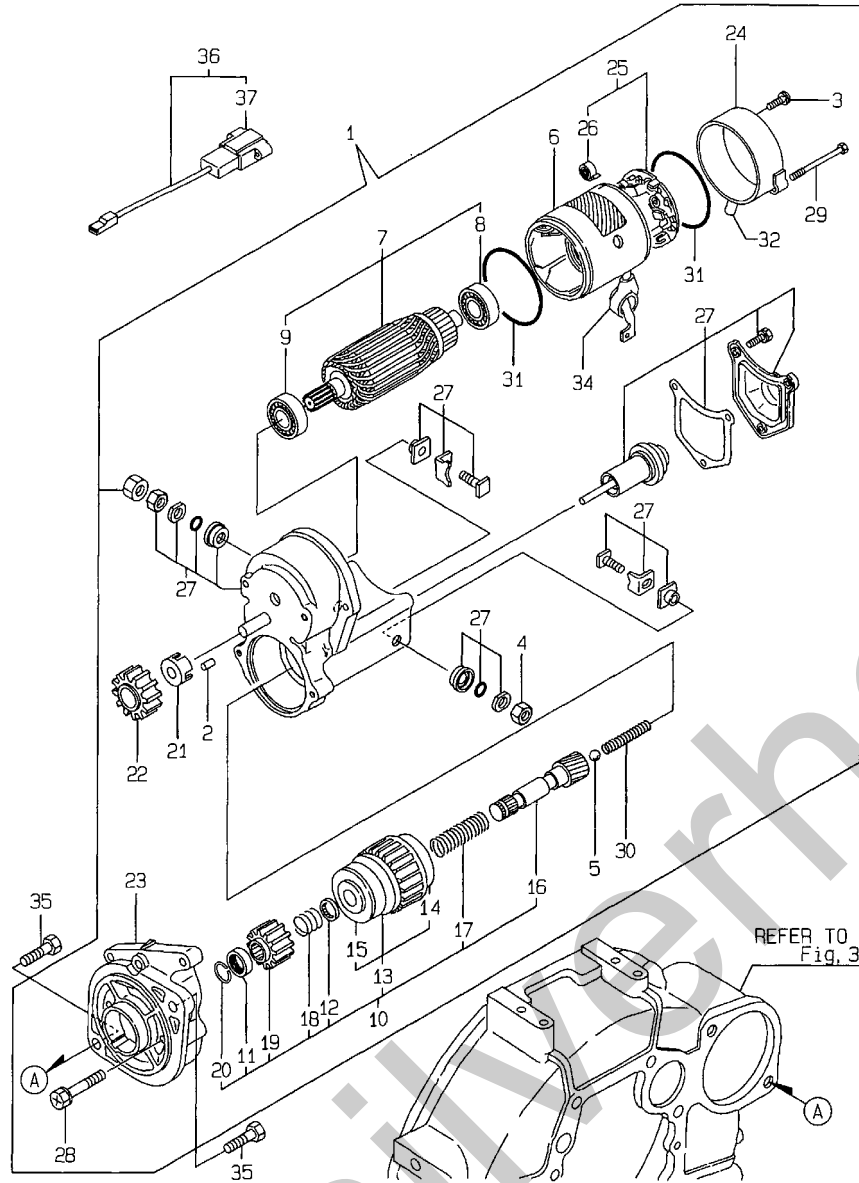


(A)=4TNE84T-SA (D)=
 (B)=4TNE84T-G1A (E)=
 (C)=4TNE84T-G2A (F)=

REF.	LEV.	PARTS NO.	DESCRIPTION	QTY						I	R
				(A)	(B)	(C)	(D)	(E)	(F)		
1	1	129488-66120	LINK, GOVERNOR	1		1					
2	1	129488-66150	LINK, GOV. CONTROL		1						
3	1	26756-050002	LOCK NUT M 5 PLATED	3	3	3					
3A	1	119888-66160	CONTROL DEVICE	1	1	1					W
		(A=E07702)	(B=E07650)								
		(C=E05791)									
4	2	126650-66020	HANDLE, REGULATOR	1	1	1					
5	2	119888-66110	BRACKET	1	1	1					
6	2	119888-66130	PIVOT	1	1	1					
7	2	171048-67010	REGULATOR ASSY	1	1	1					
8	3	171102-66080	SPACER	1	1	1					
9	3	104200-66820	SPRING	1	1	1					
10	3	104200-66830	PLATE, FRICTION	2	2	2					
11	3	104200-66850	WASHER (B)	1	1	1					
12	3	104200-66860	NUT	1	1	1					
13	3	171085-67100	BRACKET, GEAR	1	1	1					
14	3	171085-67110	SHAFT, DRIVING	1	1	1					
15	3	171085-67120	GEAR	1	1	1					
16	3	171048-67130	LEVER	1	1	1					
17	3	171048-67140	STOPPER	1	1	1					
18	3	22351-020006	SPRING PIN 2X 6	1	1	1					
19	3	22411-200150	COTTER PIN 2.0X15	1	1	1					
20	3	26116-060082	BOLT 6X8	1	1	1					
21	3	26921-050122	SCREW M 5X 12	1	1	1					
22	2	170064-67210	LABEL, HANDLE	1	1	1					
23	2	22117-100000	WASHER 10	1	1	1					
23-1	2	22137-100000	WASHER 10,POLISHED	1	1	1					N
		(A=E0000) (B=E0000) (C=E0000)									
24	2	22217-100000	SPRING WASHER 10	1	1	1					
25	2	22272-000050	CIRCLIP E- 5	1	1	1					
26	2	26106-060102	BOLT M 6X 10 PLATED	2	2	2					
27	2	26657-100002	CAP NUT M10	1	1	1					
27A	2	22117-060000	WASHER 6	1	1	1					W
		(A=E0000) (B=E0000) (C=E0000)									
28	1	26106-080162	BOLT M 8X 16 PLATED	2	2	2					

Fig.20. STARTING MOTOR(STANDARD)

20. STARTING MOTOR (STANDARD)



(A)=4TNE84T-SA (D)=
 (B)=4TNE84T-G1A (E)=
 (C)=4TNE84T-G2A (F)=

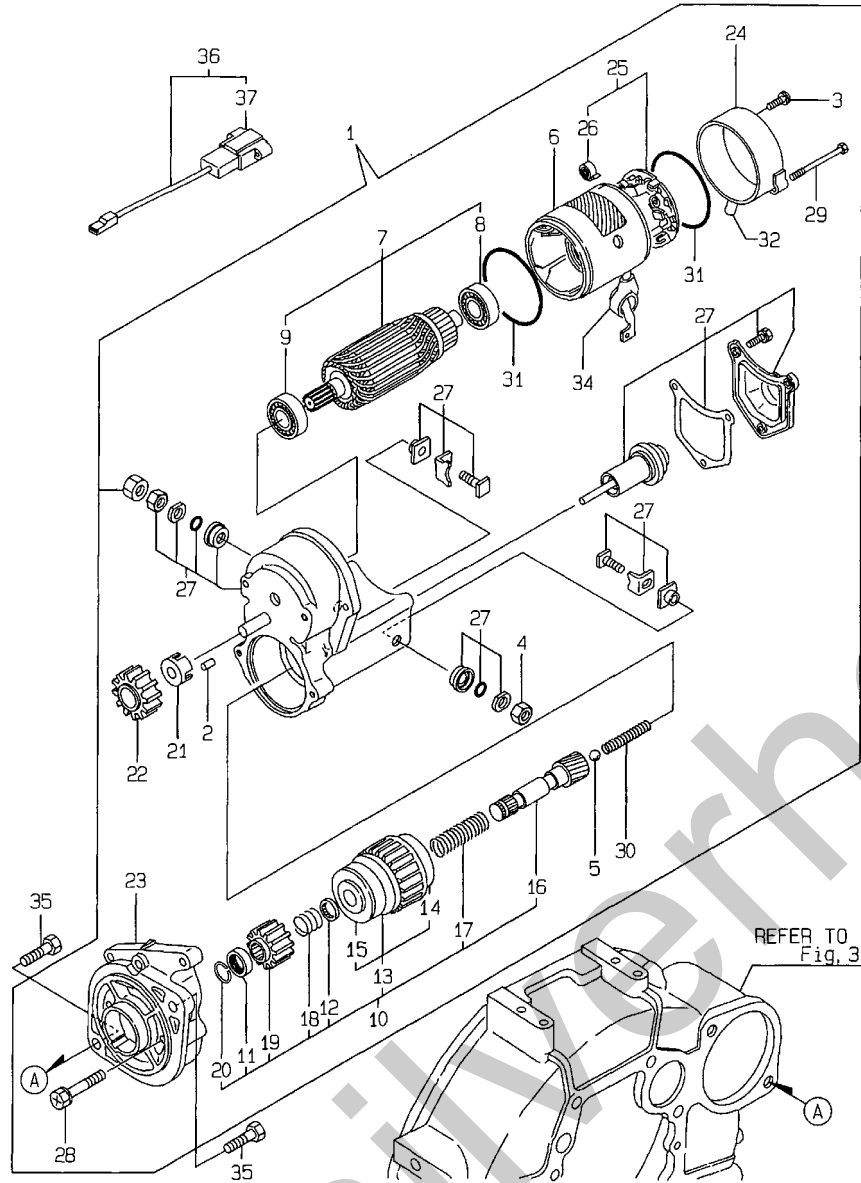
REF.	LEV.	PARTS NO.	DESCRIPTION	QTY						I	R
				(A)	(B)	(C)	(D)	(E)	(F)		
1	1	129407-77010	STARTER ASSY	1	1						
1-1	1	129608-77010 (A=E05847)	STARTNG MOTOR	1		1					F 1
2	2	X0283060061 (A=E05847)	ROLLER	5	5						Z
3	2	X0289030010	SCREW	2	2						
3-1	2	129129-77460 (A=E05099)	SCREW	2	2						R
3-2	2	129129-77460 (B=E05093)	SCREW	2							Z
4	2	X9490561370 (A=E05847)	NUT	1	1						Z
5	2	X9491200240 (A=E05847)	BALL	1	1						Z
6	2	129407-77210 (A=E05847)	YOKE	1	1						Z
7	2	129407-77220 (A=E05847)	ARMATURE ASSY	1	1						Z
8	3	129129-77230 (A=E05847)	BEARING	1	1						Z
9	3	129129-77240 (A=E05847)	BEARING	1	1						Z
10	2	129407-77250 (A=E05847)	STARTER KIT	1	1						Z
11	3	X0280210230 (A=E05847)	NUT	1	1						Z
12	3	X0283270140 (A=E05847)	RETAINER	1	1						Z
13	3	129407-77390 (A=E05847)	CLUTCH,STARTER	1	1						Z
14	4	129129-77440 (A=E05847)	BEARING	1	1						Z
15	4	129129-77450 (A=E05847)	BEARING	1	1						Z
16	3	129129-77400 (A=E05847)	SHAFT	1	1						Z
17	3	129129-77410 (A=E05847)	SPRING, COIL	1	1						Z
18	3	129407-77410 (A=E05847)	SPRING	1	1						Z
19	3	129129-77420 (A=E05847)	PINION	1	1						Z
20	3	129129-77430 (A=E05847)	RING	1	1						Z
21	2	129129-77260 (A=E05847)	RETAINER	1	1						Z
22	2	129129-77270 (A=E05847)	PINION	1	1						Z
23	2	129407-77280 (A=E05847)	HOUSING	1	1						Z
24	2	129129-77290 (A=E05847)	FRAME	1	1						Z
25	2	129407-77300 (A=E05847)	HOLDER ASSY	1	1						Z

Remarks
 (1) REF.NO.1-1 & 36 INTERCHANGEABLE BY SET.
 SEE GROUP NO.25 FOR MORE DETAIL.

++ CONTINUE ++

Fig.20. STARTING MOTOR(STANDARD)

20. STARTING MOTOR (STANDARD)



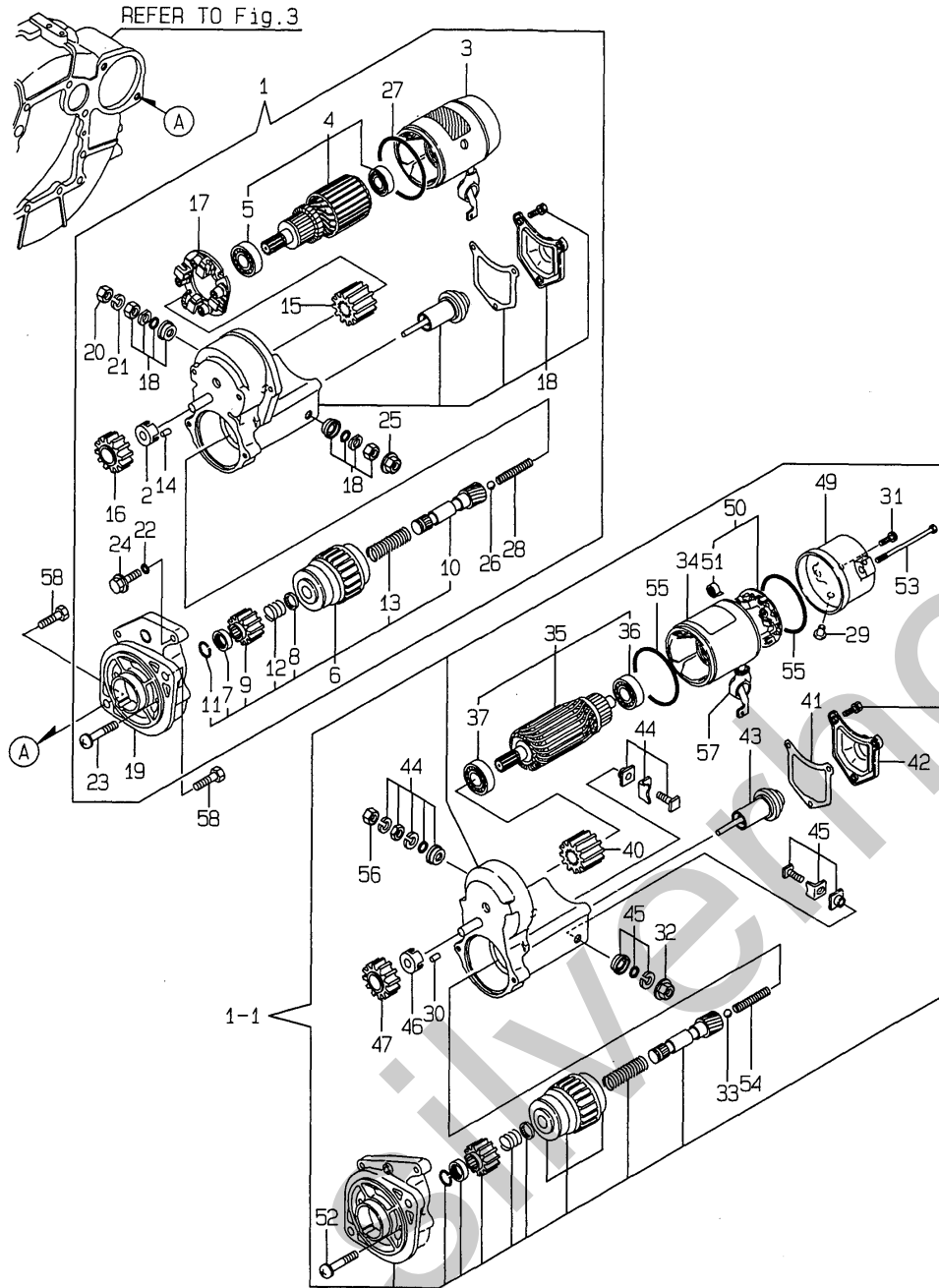
Remarks
 (1) REF.NO.1-1 & 36 INTERCHANGEABLE BY SET.
 SEE GROUP NO.25 FOR MORE DETAIL.

(A)=4TNE84T-SA (D)=
 (B)=4TNE84T-G1A (E)=
 (C)=4TNE84T-G2A (F)=

REF.	LEV.	PARTS NO.	DESCRIPTION	QTY						I	R
				(A)	(B)	(C)	(D)	(E)	(F)		
26	3	X9491730461 (A=E05847)	SPRING	4	4						Z
27	2	129407-77310 (A=E05847)	SWITCH ASSY	1	1						Z
28	2	129129-77320 (A=E05847)	BOLT	2	2						Z
29	2	129407-77330 (A=E05847)	BOLT,W/WASHER	2	2						Z
30	2	129129-77340 (A=E05847)	SPRING	1	1						Z
31	2	129129-77350 (A=E05847)	O-RING	2	2						Z
32	2	129129-77361	BUSH, DRAIN	1	1						
32-1	2	129129-77362 (A=E05099) (B=E05093)	COVER	1	1						R
32-2	2	129129-77362 (A=E05847)	COVER	1							Z
34	2	129129-77380 (A=E05847)	CAP	1	1						Z
35	1	26116-120252	BOLT M12X 25 PLATED	2	2	2					
36	1	129052-77951 (A=E05847)	CONNECTOR	1		1					W 1
37	2	129052-77960 (A=E05847)	305 1P HOUSING	1		1					W

Fig.21. STARTING MOTOR(COLD DISTRICT)

21. STARTING MOTOR (COLD DISTRICT)



Y00R4551 21. STARTING MOTOR(COLD DISTRICT)

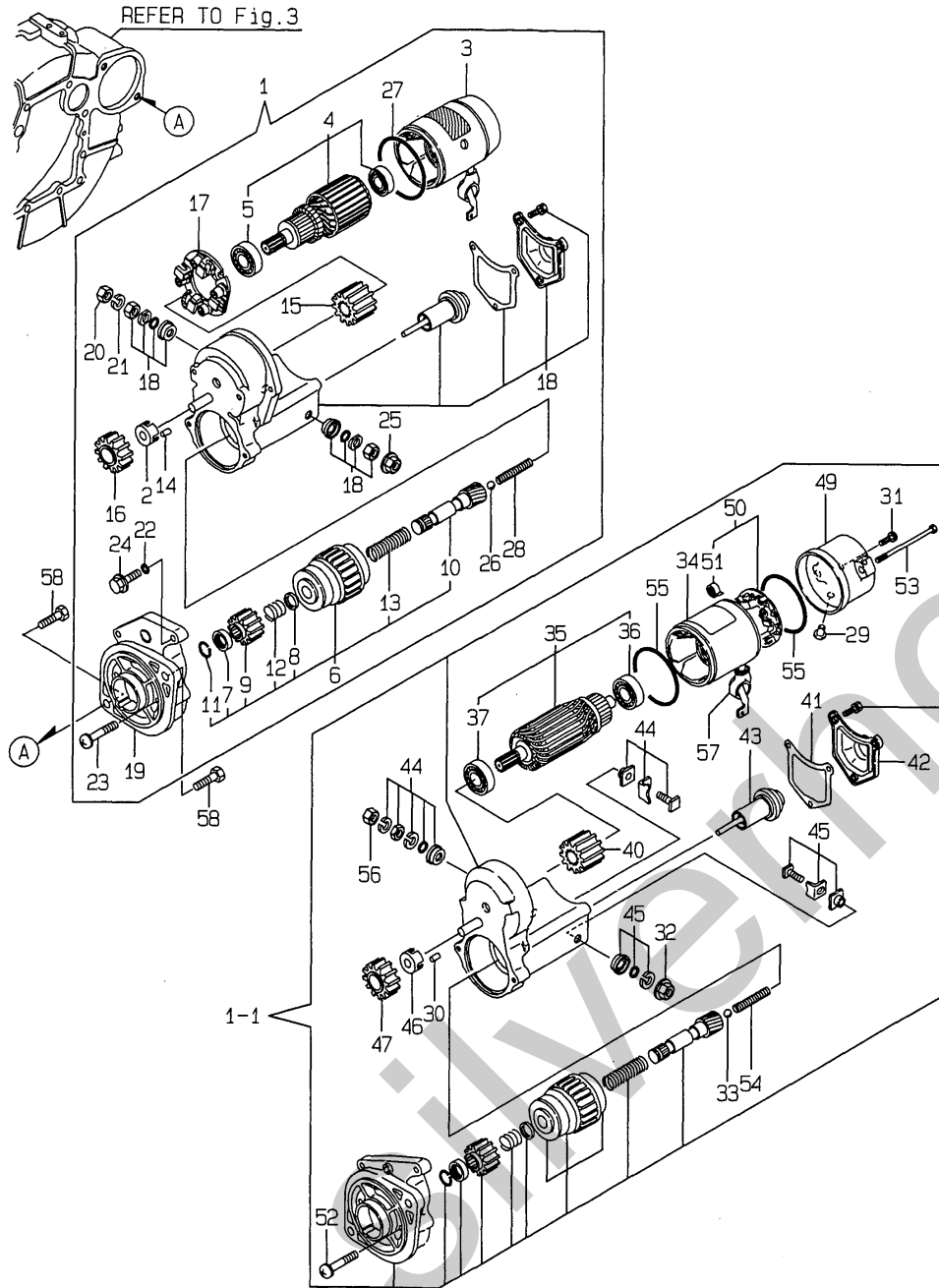
(A)=4TNE84T-SA (D)=
 (B)=4TNE84T-G1A (E)=
 (C)=4TNE84T-G2A (F)=

REF.	LEV.	PARTS NO.	DESCRIPTION	QTY						I	R
				(A)	(B)	(C)	(D)	(E)	(F)		
1	1	129429-77010	STARTER ASSY	1	1						
1-1	1	129429-77011 (A=E05478) (B=E05472)	STARTER ASSY	1	1	1					N
2	2	X0280630011 (A=E05478) (B=E05472)	RETAINER	1	1						Z
3	2	X0281003760 (A=E05478) (B=E05472)	YORK	1	1						Z
4	2	X0282002140 (A=E05478) (B=E05472)	ARMATURE	1	1						Z
5	3	X9491002160 (A=E05478) (B=E05472)	BEARING	1	1						Z
6	2	X0283002081 (A=E05478) (B=E05472)	CLUCH ASSY	1	1						Z
7	3	X0280210230 (A=E05478) (B=E05472)	NUT	1	1						Z
8	3	X0283270140 (A=E05478) (B=E05472)	RETAINER	1	1						Z
9	3	X0283711770 (A=E05478) (B=E05472)	PINION	1	1						Z
10	3	X0283810040 (A=E05478) (B=E05472)	SHAFT	1	1						Z
11	3	X9490721080 (A=E05478) (B=E05472)	RING	1	1						Z
12	3	X9491703371 (A=E05478) (B=E05472)	SPRING, COIL	1	1						Z
13	3	X9491704260 (A=E05478) (B=E05472)	SPRING	1	1						Z
14	2	X0283060061 (A=E05478) (B=E05472)	ROLLER	5	5						Z
15	2	X0283711410 (A=E05478) (B=E05472)	PINION	1	1						Z
16	2	X0283711420 (A=E05478) (B=E05472)	PINION	1	1						Z
17	2	X0285100640 (A=E05478) (B=E05472)	HOLDER	1	1						Z
18	2	X0534009490 (A=E05478) (B=E05472)	SWITCH ASSY,MAGNET	1	1						Z
19	2	X1284017300 (A=E05478) (B=E05472)	HOUSING	1	1						Z
20	2	X9019008651 (A=E05478) (B=E05472)	NUT	1	1						Z
21	2	X9025808001 (A=E05478) (B=E05472)	WASHER	1	1						Z
22	2	X9080110060 (A=E05478) (B=E05472)	O-RING	2	2						Z
23	2	X9490064720 (A=E05478) (B=E05472)	SCREW	2	2						Z
24	2	X9490422860 (A=E05478) (B=E05472)	THROUGH BOLT	2	2						Z
25	2	X9490561370 (A=E05478) (B=E05472)	NUT	1	1						Z
26	2	X9491200240 (A=E05478) (B=E05472)	BALL	1	1						Z
27	2	X9491403680	O-RING	1	1						Z

++ CONTINUE ++

Fig.21. STARTING MOTOR(COLD DISTRICT)

21. STARTING MOTOR (COLD DISTRICT)



Y00R4551 21. STARTING MOTOR(COLD DISTRICT)

(A)=4TNE84T-SA (D)=
 (B)=4TNE84T-G1A (E)=
 (C)=4TNE84T-G2A (F)=

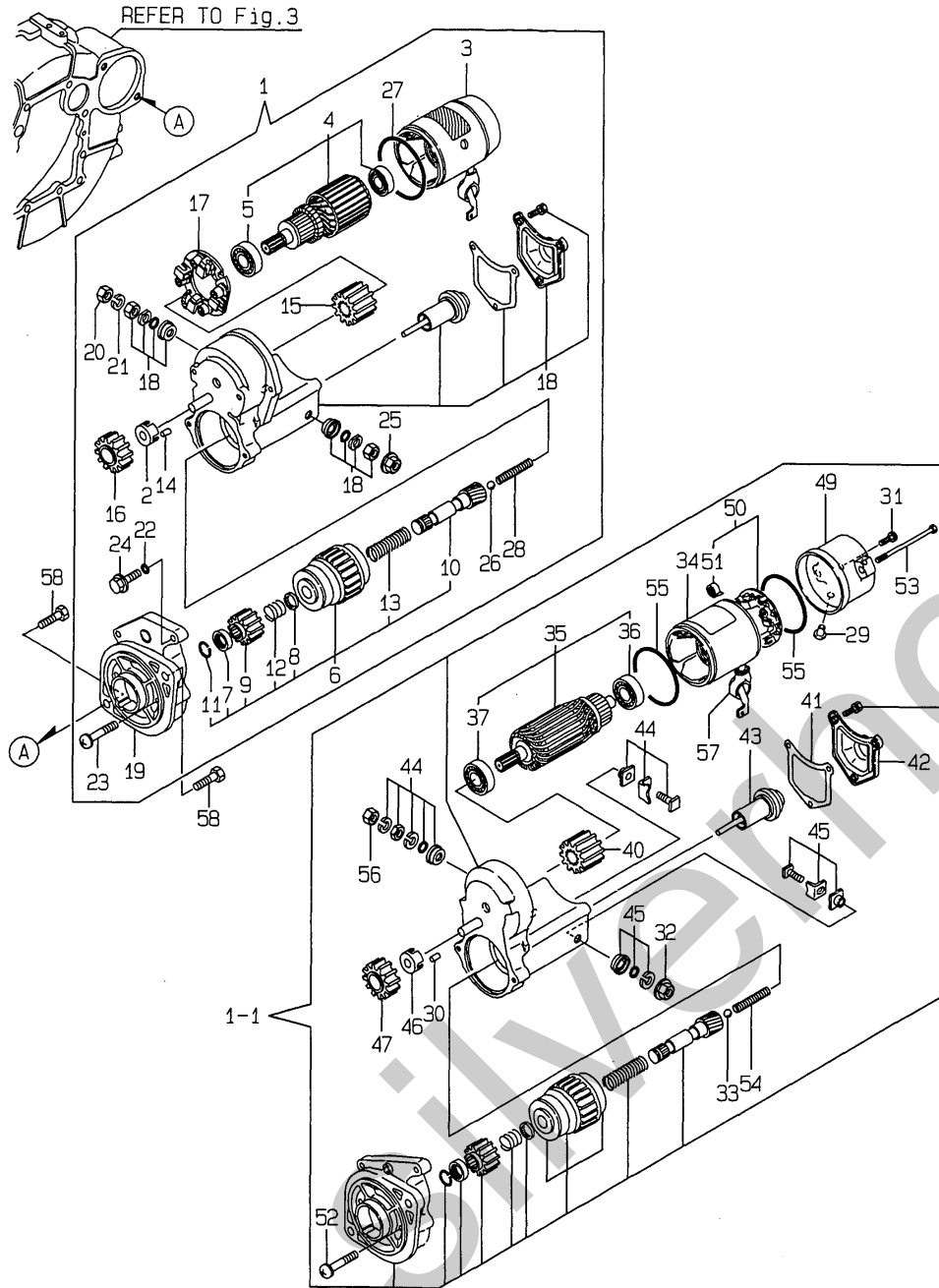
REF.	LEV.	PARTS NO.	DESCRIPTION	QTY						I	R
				(A)	(B)	(C)	(D)	(E)	(F)		
		(A=E05478) (B=E05472)									
28	2	X9491703380	SPRING	1	1						Z
29	2	129129-77362	COVER	1	1	1					W
30	2	X0283060061	ROLLER	5	5	5					W
31	2	129429-77310	SCREW	2	2	2					W
32	2	X9490561370	NUT	1	1	1					W
33	2	X9491200240	BALL	1	1	1					W
34	2	129429-77210	YOKE	1	1	1					W
35	2	129429-77220	ARMATURE ASSY	1	1	1					W
36	3	129429-77230	BEARING	1	1	1					W
37	3	129129-77240	BEARING	1	1	1					W
40	2	129429-77250	CLUTCH ASSY,OVER RUN	1	1	1					W
41	2	129429-77350	GASKET	1	1	1					W
42	2	129429-77360	COVER	1	1	1					W
43	2	129429-77370	PLUNGER	1	1	1					W
44	2	129429-77380	STARTER KIT	1	1	1					W
45	2	129429-77390	STARTER KIT	1	1	1					W
46	2	129129-77260	RETAINER	1	1	1					W
47	2	129129-77270	PINION	1	1	1					W
49	2	129429-77270	FRAME	1	1	1					W
50	2	129429-77280	HOLDER ASSY	1	1	1					W
51	3	129429-77290	SPRING	4	4	4					W
52	2	129429-77320	SCREW	2	2	2					W
53	2	129429-77330	BOLT	2	2	2					W
54	2	129129-77340	SPRING	1	1	1					W
55	2	129129-77350	O-RING	2	2	2					W
56	2	129129-77370	NUT	1	1	1					W
57	2	129429-77340	CAP	1	1	1					W

++ CONTINUE ++

(A)=4TNE84T-SA (D)=
 (B)=4TNE84T-G1A (E)=
 (C)=4TNE84T-G2A (F)=

Fig.21. STARTING MOTOR(COLD DISTRICT)

21.STARTING MOTOR (COLD DISTICT)

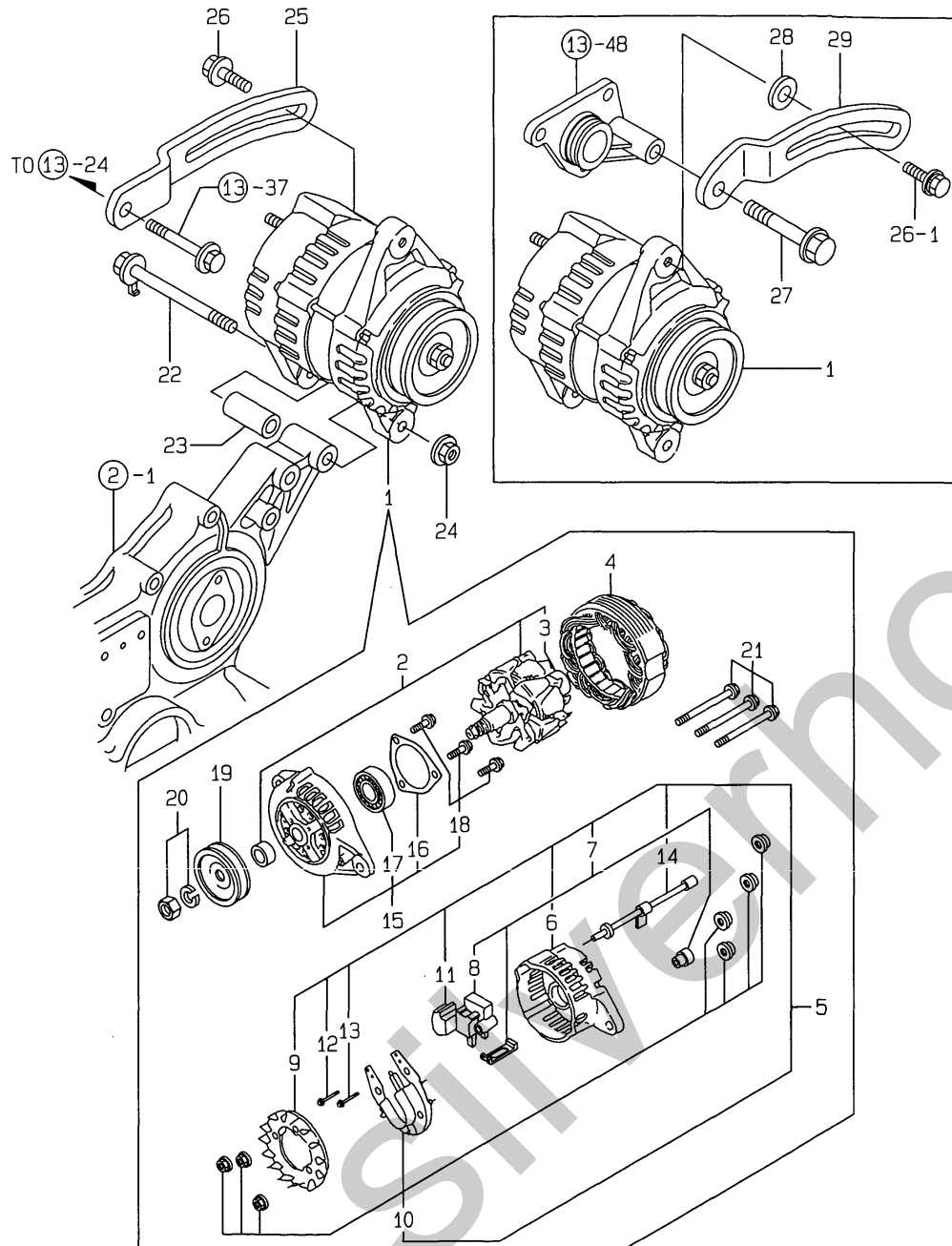


REF.	LEV.	PARTS NO.	DESCRIPTION	QTY						I	R
				(A)	(B)	(C)	(D)	(E)	(F)		

58	1	(A=E05478) 26116-120252	(B=E05472) BOLT M12X 25 PLATED	2	2	2					
----	---	----------------------------	-----------------------------------	---	---	---	--	--	--	--	--

Fig.22. GENERATOR

22. GENERATOR



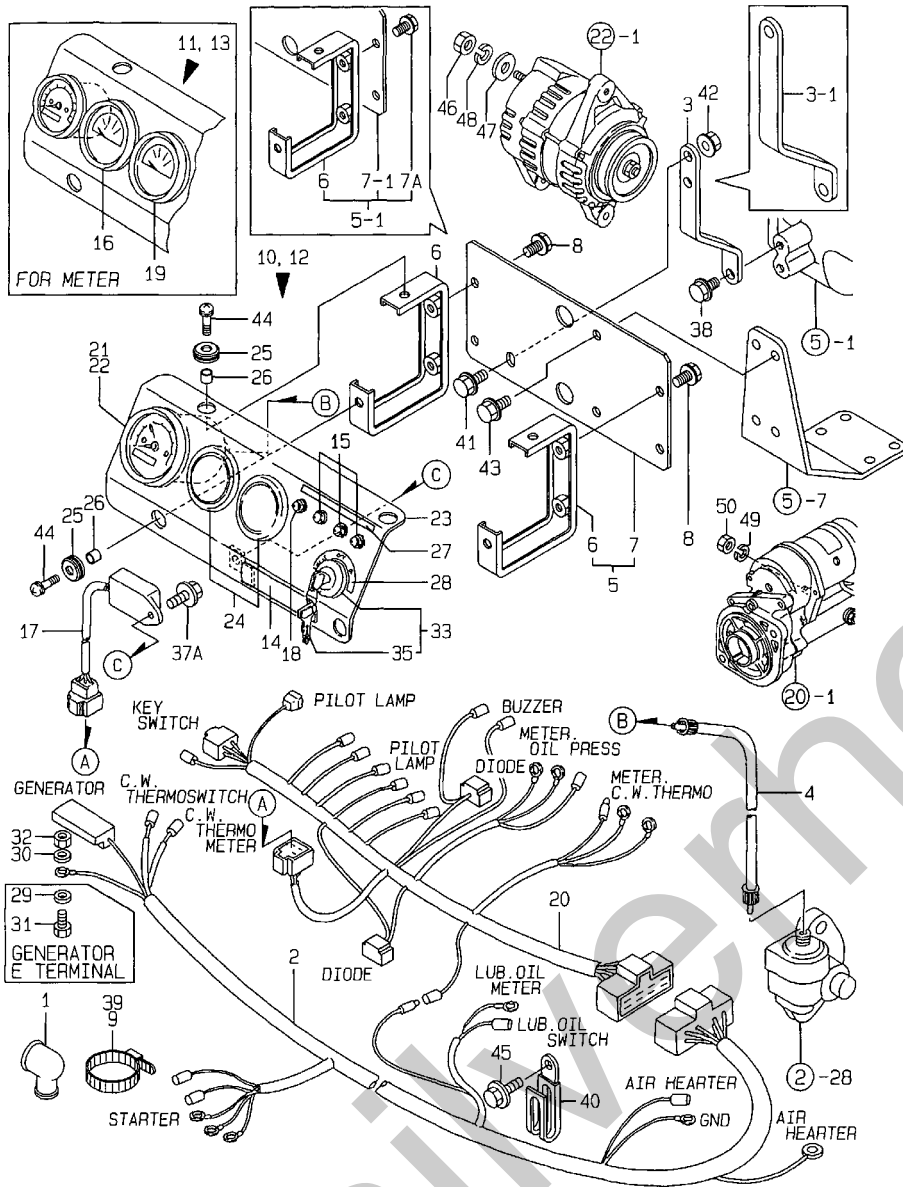
(A)=4TNE84T-SA (D)=
 (B)=4TNE84T-G1A (E)=
 (C)=4TNE84T-G2A (F)=

REF.	LEV.	PARTS NO.	DESCRIPTION	QTY						I	R
				(A)	(B)	(C)	(D)	(E)	(F)		
1	1	119836-77200	GENERATOR	1	1	1					
2	2	119836-77700	ROTOR ASSY	1	1	1					
3	3	119836-77850	BALL BEARING	1	1	1					
4	2	119836-77710	STATOR ASSY	1	1	1					
5	2	119836-77721	COVER ASSY, REAR	1	1	1					
6	3	119836-77730	COVER, REAR	1	1	1					
7	3	119836-77741	BRUSH ASSY,REGULATOR	1	1	1					
8	4	119836-77750	BRUSH ASSY	1	1	1					
9	3	119836-77760	GUIDE, FAN SIDE	1	1	1					
10	3	119836-77770	DIODE ASSY	1	1	1					
11	3	119836-77780	CONDENSER	1	1	1					
12	3	119836-77871	BOLT (1)	1	1	1					
13	3	119836-77880	BOLT (2)	1	1	1					
14	3	119836-77890	WIRE ASSY, LEAD	1	1	1					
15	2	119836-77790	COVER ASSY, FRONT	1	1	1					
16	3	119836-77800	RETAINER, BEARING	1	1	1					
17	3	119836-77840	BALL BEARING	1	1	1					
18	3	119836-77860	SCREW KID	1	1	1					
19	2	119836-77810	PULLEY	1	1	1					
20	2	119836-77820	NUT ASSY, PULLEY	1	1	1					
21	2	119836-77830	BOLT, THROUGH	1	1	1					
22	1	129136-77250	BOLT M 8X105	1	1						
22-1	1	129136-77251	BOLT M 8X110	1	1	1					N
		(A=E06616) (B=E06580)									
23	1	119820-77340	SPACER	1	1	1					
24	1	26366-080002	NUT M 8	1	1						
24-1	1	129612-77260	NUT ,GENERATOR	1	1	1					R
		(A=E03730) (B=E03264)									
25	1	129410-77330	ADJUSTER, V-BELT	1	1						
25-1	1	129100-77330	ADJUSTER	1	1						N
		(A=E03730) (B=E03264)									
26	1	26014-080252	BOLT M 8X 25	1	1						
26-1	1	119810-77340	BOLT	1	1	1					N
		(A=E06616) (B=E06580)									
27	1	26106-080502	BOLT M 8X 50 PLATED	1	1	1					W
		(A=E03730) (B=E03264)									
28	1	106500-44810	SPACER						1		
29	1	129211-77330	ADJUSTER					1			

Fig.23. PANEL

(A)=4TNE84T-SA (D)=
 (B)=4TNE84T-G1A (E)=
 (C)=4TNE84T-G2A (F)=

23. PANEL



Remarks
 (1) WITH C.W.THERMOMETER(REF.NO.16,
 P/# 171010-77850) & PRESSURE
 GAUGE(REF.NO.19,P/# 171090-91010).

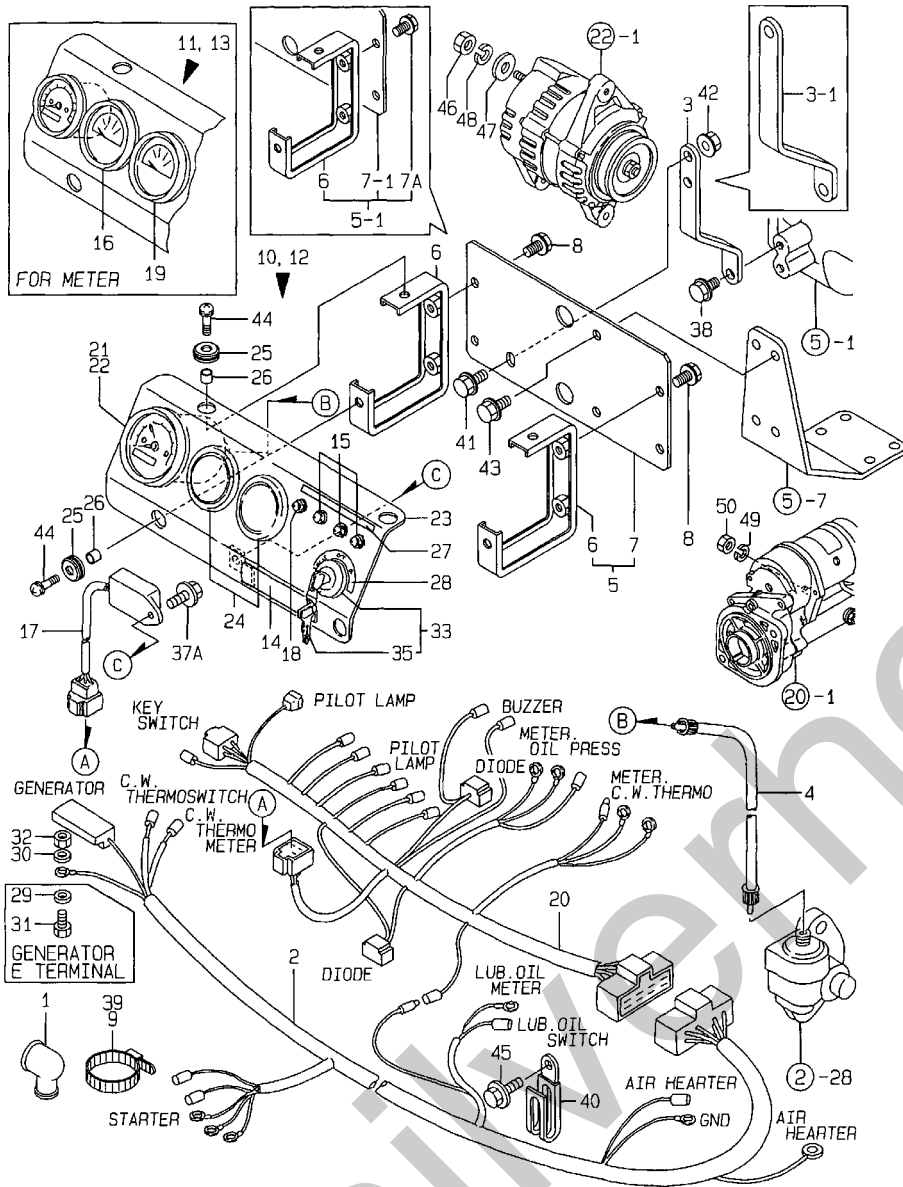
REF.	LEV.	PARTS NO.	DESCRIPTION	QTY						I	R
				(A)	(B)	(C)	(D)	(E)	(F)		
1	1	124550-77030	COVER, TERMINAL	1	1	1					
2	1	119888-91021	HARNESS (A), WIRE	1	1						
2-1	1	119888-91022	HARNESS(A), WIRE	1	1	1					N
3	1	(A=E01427) 119822-91140 (B=E01221)	STAY, INSTRU. PANEL	1	1	1					
3-1	1	129609-91150	STAY, INSTRU. PANEL	1	1	1					S
4	1	(A=E07702) 121400-91140 (B=E07650) (C=E05791)	SHAFT, FLEXIBLE	1	1	1					
5	1	129608-91150	BRACKET ASSY, PANEL	1	1						
5-1	1	129608-91151	BRACKET ASSY, PANEL	1	1	1					N
6	2	(A=E05031) 119888-91120 (B=E05030)	SUPPORT, PANEL	2	2	2					
7	2	129608-91130	BRACKET, PANEL	1	1						
7-1	2	129608-91131	BRACKET, PANEL	1	1	1					N
7A	2	(A=E05031) 26106-080122 (B=E05030)	BOLT M 8X 12 PLATED	4	4	4					W
8	1	(A=EXXX) 26033-060202 (B=EXXX)	SCREW M 6X 20	4	4						Z
9	1	(A=EXXX) 121750-59890 (B=EXXX)	CLAMP 140	1							
10	1	119888-91101	PANEL ASSY, INSTRUM	1		1					
11	1	119888-91201	PANEL ASSY, INSTRUM	1		1					1
12	1	119888-91301	PANEL ASSY, INSTRUM		1						
13	1	119888-91311	PANEL ASSY, INSTRUM		1						1
14	2	104507-07190	LABEL, YANMAR	1	1	1					
15	2	124732-77720	LAMP, CHARGING	3	3	3					
16	2	171010-77850	THERMOMETER, C.W.	1	1	1					
17	2	128300-77920	TIMER	1	1	1					
18	2	124559-77971	LAMP, PILOT	1	1	1					
19	2	171090-91010	GAUGE, PRESSURE	1	1	1					
20	2	119888-91031	HARNESS (B), WIRE	1	1	1					
21	2	171080-91100	TACHOMETER	1		1					
22	2	171082-91100	TACHOMETER		1						
23	2	119888-91110	BODY	1	1	1					
24	2	124770-91220	COVER 52	2	2	2					
25	2	121400-91520	ABSORBER	4	4	4					
26	2	121400-91530	SPACER	4	4	4					
27	2	119888-91610	LABEL, CW & OIL LAMP	1	1	1					
28	2	119888-91620	LABEL, KEY SWITCH	1	1	1					
29	2	22117-050000	WASHER 5	1							Z
30	2	(A=EXXX) 22117-050000	WASHER 5	1							Z
31	2	(A=EXXX) 26116-050102 (B=EXXX)	BOLT M 5X 10 PLATED	1							Z
32	2	(A=EXXX) 26716-050002	NUT M 5	1							Z
33	2	933110-00100	SWITCH ASSY, STARTER	1	1	1					
35	3	933110-00301	KEY ASSY	1	1	1					
37A	2	(A=EXXX) 26106-060102 (B=EXXX)	BOLT M 6X 10 PLATED	1	1	1					W
38	1	26106-080162	BOLT M 8X 16 PLATED	1	1	1					
39	1	121750-59890	CLAMP 140	1	1	1					
40	1	194180-51640	CLAMP, WIRE HARNESS	1	1	1					

++ CONTINUE ++

(A)=4TNE84T-SA (D)=
 (B)=4TNE84T-G1A (E)=
 (C)=4TNE84T-G2A (F)=

Fig.23. PANEL

23. PANEL

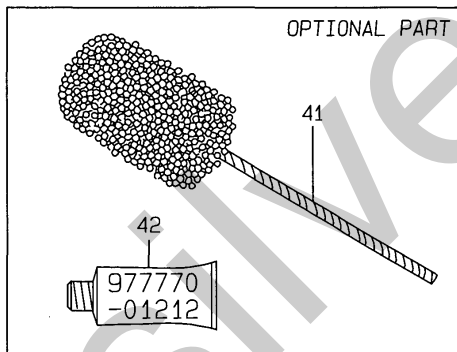
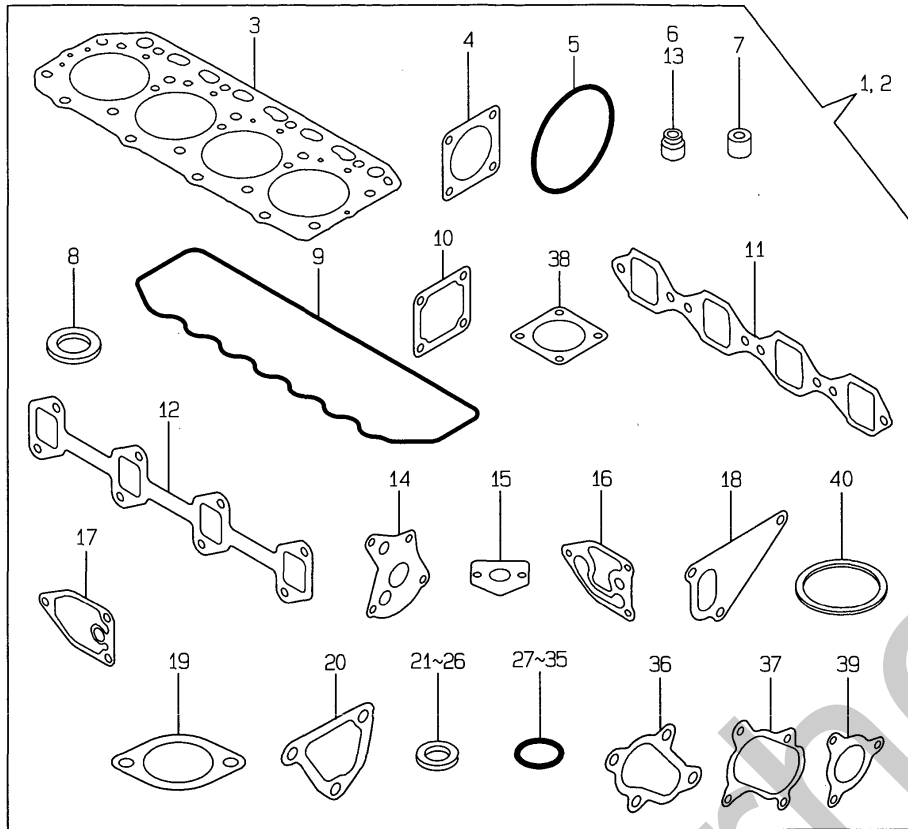


REF.	LEV.	PARTS NO.	DESCRIPTION	QTY						I	R
				(A)	(B)	(C)	(D)	(E)	(F)		
41	1	26106-080162	BOLT M 8X 16 PLATED	1	1	1					
42	1	26366-080002	NUT M 8	1	1	1					
42-1	1	26306-080002	NUT	1	1	1					N
		(A=EXXX) (B=EXXX) (C=EXXX)									
43	1	26106-080162	BOLT M 8X 16 PLATED	2	2	2					
44	1	26033-060202	SCREW M 6X 20	4	4	4					
45	1	26106-100122	BOLT M10X 12 PLATED	1							W
		(A=EXXX)									
46	1	26716-050002	NUT M 5	1	1	1					W
		(A=EXXX) (B=EXXX)									
47	1	22117-050000	WASHER 5	1	1	1					W
		(A=EXXX) (B=EXXX)									
48	1	22217-050000	SPRING WASHER 5	1	1	1					W
		(A=EXXX) (B=EXXX)									
49	1	22217-080000	SPRING WASHER 8	1	1	1					W
		(A=EXXX) (B=EXXX)									
50	1	26756-080002	LOCK NUT M 8 PLATED	1	1	1					W
		(A=EXXX) (B=EXXX)									

Remarks
 (1) WITH C.W.THERMOMETER(REF.NO.16,
 P/# 171010-77850) & PRESSURE
 GAUGE(REF.NO.19,P/# 171090-91010).

Fig.24. GASKET SET & TOOL(OPTIONAL)

24.GASKET SET & TOOL (OPTIONAL)



Remarks
(1) OPTIONAL PART.

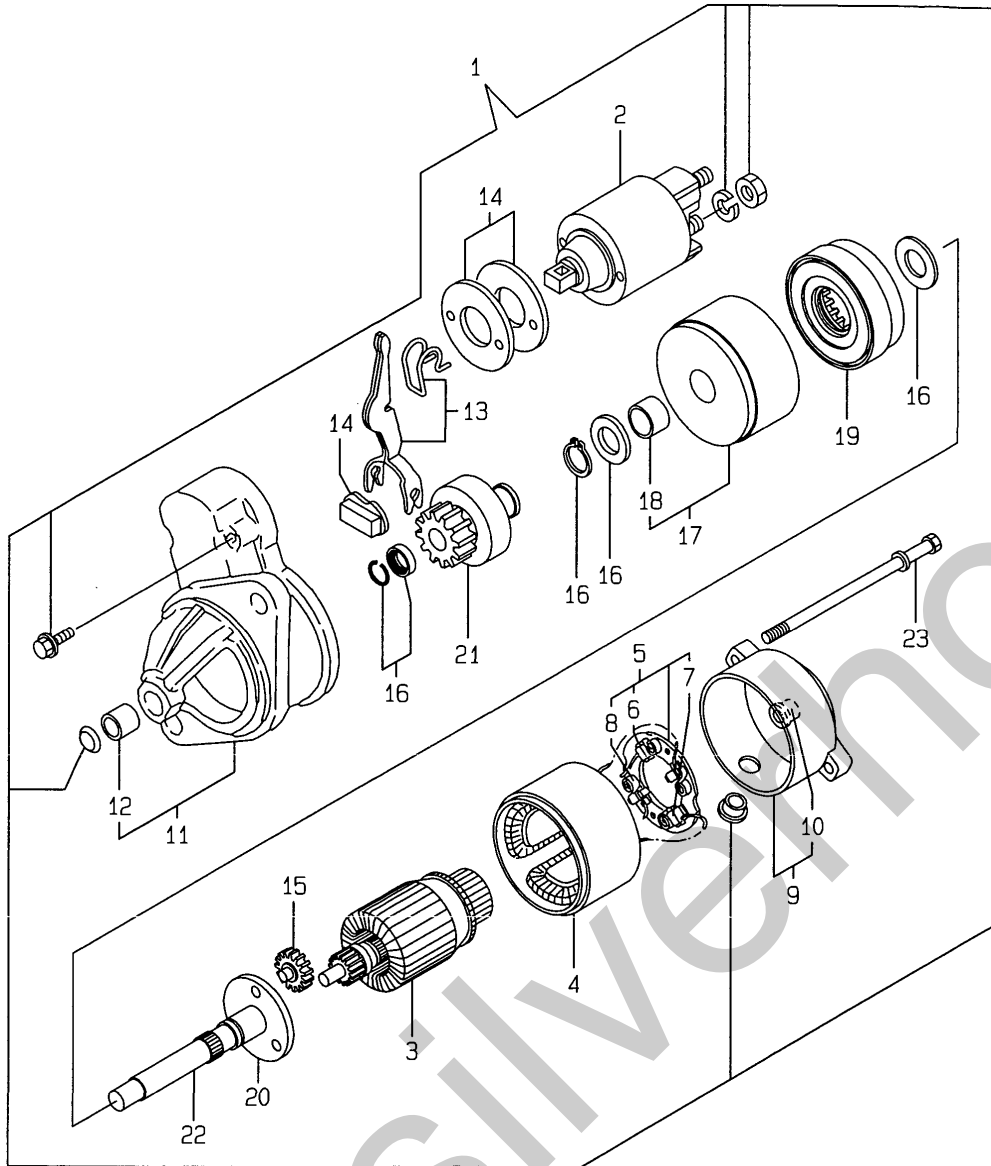
(A)=4TNE84T-SA (D)=
(B)=4TNE84T-G1A (E)=
(C)=4TNE84T-G2A (F)=

REF.	LEV.	PARTS NO.	DESCRIPTION	QTY						I	R
				(A)	(B)	(C)	(D)	(E)	(F)		
1	1	729418-92600	GASKET SET(NON-ASB.)	1							1
2	1	729418-92610	GASKET SET(NON-ASB.)		1	1					1
3	2	129408-01330	GASKET, CYL.HEAD	1	1	1					
4	2	124240-01883	GASKET, (NON-ASB.)	1	1	1					
5	2	121850-51960	O-RING, F.I.PUMP	1	1	1					
6	2	124460-11340	SEAL, VALVE STEM	4	4	4					
7	2	119625-11871	PROTECTOR, NOZZLE	4	4						
7-1	2	119625-11870	PROTECTOR, NOZZLE	4	4	4					N
		(A=E03730) (B=E03442)									
8	2	119625-11880	SEAT, NOZZLE	4	4	4					
9	2	129550-11310	GASKET, BONNET	1	1	1					
10	2	129150-77511	GASKET, (NON-ASB.)	1	1	1					
11	2	129550-12111	GASKET, (NON-ASB.)	1	1	1					
12	2	129550-13110	GASKET, EXH.MANIFOLD	1	1	1					
13	2	121400-11340	SEAL, VALVE STEM	4	4	4					
14	2	129150-32020	GASKET, L.O. PUMP	1	1	1					
15	2	129150-35041	GASKET, (NON-ASB.)	1	1	1					
16	2	129103-35122	GASKET, (NON-ASB.)	1		1					
17	2	129150-35111	GASKET, (NON-ASB.)		1						
18	2	129100-42020	GASKET, C.W. PUMP	1	1	1					
19	2	129795-49551	GASKET, (NON-ASB.)	1	1	1					
20	2	129100-49820	GASKET, COVER	1	1	1					
21	2	124465-44950	GASKET 16	2	2	2					
22	2	104200-59170	GASKET 12	2	2						
22-1	2	22190-120002	SEAL WASHER 12	2	2	2					N
		(A=E03730) (B=E03442)									
23	2	23414-120000	GASKET 12, ROUND	2	2	2					
24	2	23414-080000	GASKET 8, ROUND		2						
25	2	23414-100000	GASKET 10, ROUND	4	2	2					
25-1	2	22190-100002	SEAL WASHER 10S	2	2	2					N
		(A=E03730) (B=E03442) (C=E03730)									
26	2	129150-49360	GASKET 10	1	1	1					
27	2	24311-000120	O-RING 1A P 12.0	3	3	3					
28	2	24311-000160	O-RING 1A P-16.0	2	3	2					
29	2	24314-000160	O-RING 4C P-16.0	1	1	1					
30	2	24311-000320	O-RING 1A P-32.0	1	1	1					
31	2	24311-000200	O-RING 1A P-20.0	1		1					
32	2	24311-000210	O-RING 1A P-21.0	1		1					
33	2	24321-000550	O-RING 1A G-55.0	1		1					
34	2	24311-000320	O-RING 1A P-32.0	1	1	1					
35	2	24341-000500	O-RING 1A S-50.0	1	1	1					
36	2	129403-18080	GASKET, TURBO OUT	1							
36-1	2	129403-18081	GASKET, TURBO OUT	1		1					N
		(A=E03730)									
37	2	129403-18091	GASKET, (NON-ASB.)		1						
38	2	129322-18100	GASKET	1		1					
39	2	129477-18101	GASKET, (NON-ASB.)		1						
40	2	129150-49811	GASKET, (NON-ASB.)	1	1	1					
41	1	129400-92420	FLEX HORN	1	1	1					1
42	1	977770-01212	GASKET, LIQUID	1	1	1					1

Fig.25. STARTING MOTOR

25.STARTING MOTOR (STANDERD) (INNER PART)

4TNE84T-SA E05848~
4TNE84T-G2A FROM 1ST



Remarks
USED FROM E05848 FOR 4TNE84T-SA.

(A)=4TNE84T-SA (D)=
(B)=4TNE84T-G1A (E)=
(C)=4TNE84T-G2A (F)=

REF.	LEV.	PARTS NO.	DESCRIPTION	QTY						I	R
				(A)	(B)	(C)	(D)	(E)	(F)		
1	1	129608-77010	STARTNG MOTOR	1	1						
2	2	129698-77020	MAGNETIC SWITCH ASSY	1	1						
3	2	129698-77101	ARMATURE ASSY	1	1						
4	2	129608-77110	YOKE ASSY	1	1						
5	2	129698-77120	HOLDER ASSY,BRUSH	1	1						
6	3	129698-77140	BRUSH(+) SET	1	1						
7	3	129698-77130	BRUSH (-)	2	2						
8	3	129698-77150	SPRING, BRUSH	4	4						
9	2	129698-77161	COVER ASSY, REAR	1	1						
10	3	129698-77170	REAR COVER METAL	1	1						
11	2	129698-77260	HOUSING ASSY, GEARS	1	1						
12	3	X2114535200	METAL, STARTER	1	1						
13	2	129698-77270	LEVER, SHIFT	1	1						
14	2	129698-77280	COVER ASSY, DUST	1	1						
15	2	129698-77240	GEAR	3	3						
16	2	129698-77250	WASHER SET	1	1						
17	2	129698-77180	BRACKET	1	1						
18	3	129698-77190	BRACKET	1	1						
19	2	129698-77200	INTERNAL GEAR	1	1						
20	2	129698-77210	BRACKET	1	1						
21	2	129698-77220	PINION ASSY	1	1						
22	2	129698-77230	SHAFT(PINION	1	1						
23	2	124195-77770	THROUGH BOLT	2	2						